



Wallace Tri-Adjustable Gantries

Round Tube Assembly Instructions

For any additional information, Please call 1-800-553-5438

CAUTIONS

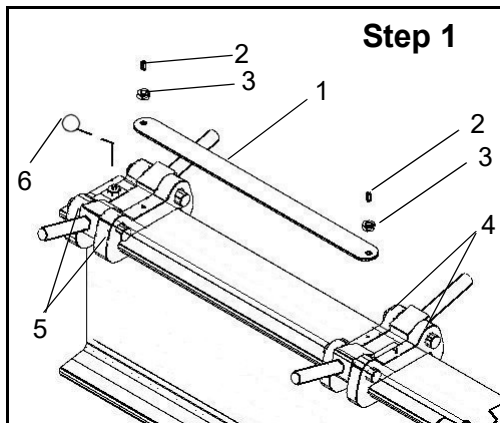
1. Read and understand instructions before using this gantry.
2. Inspect gantry thoroughly before using (see Form 379) for damaged or missing parts.
3. Do not lift more than rated capacity.
4. Center hoist over the load.
5. Do not allow load to swing or to roll against any supporting members.
6. When moving gantry under load, push on the gantry, not the load. Be certain that rolling surface is hard, level, clean and smooth.
7. Do not move gantry over 50 feet per minute (1/2 mph).
8. Not to be used for lifting or supporting humans.

Before You Begin

- Place parts on a flat surface, preferably on cardboard, to keep small parts clean and organized.
- Select a clear area to assemble the Crane. The work envelope should extend five feet beyond twice the leg length (when flat) and the length of the I-beam
- This clear area should be serviced by two overhead hoists or alternate as shown in Form 379. The cranes will raise the I-beam and leg assemblies when required.
- Select tools for fastening the nuts and bolts. You will also need: C-clamps to hold the trolley in place while the crane is assembled.

Before Placing the Gantry Under Load

- A. Make certain all hardware is securely attached and all locking pins are in place.
- B. Give the enclosed "Operating and Safety Instructions" to the person(s) with responsibility for the safe use of the Gantry.



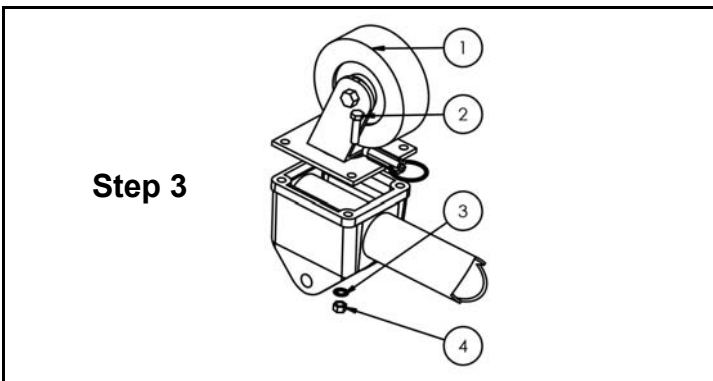
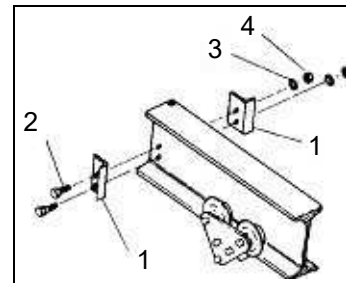
Step 1. Attaching the I-Beam Fittings to the I-Beam

- A. Place I-Beam on suitable supports (barrels, boxes, horses, etc.) so stenciling is right side up.
- B. Slide leg brace bracket assembly [assembly with narrow brackets] (4)-on the I-Beam, followed by the main leg bracket assembly [assembly with thick brackets] (5)-to position on I-Beam for desired span.
- C. Remove set screws (2) with nuts (3) from leg brace bracket (4) and main leg bracket (5) using an allen wrench.
- D. Remove spacer bar (1) from leg brace carton and attach to main leg bracket (5) and leg brace bracket (4) using set screws (2) and nuts (3) previously removed.
NOTE: Do not tighten set screws to I-Beam until after installing main legs (Step No. 4) and brace legs (Step No. 5).
- E. Install locking ring (6) in hole on top flange of I-Beam.
- F. Repeat at other end of I-Beam.

Step 2. Attaching the Trolley and Trolley Stops

- A. Place trolley (if one is to be used) on the I-Beam.
NOTE: Refer to trolley instructions and adjust width, if necessary, to fit the I-Beam of your gantry.
- B. Lock trolley in center of I-Beam using "C" clamps on bottom flange of I-Beam.
- C. Install two trolley stop angles (1) at end of I-Beam using bolts (2) lock washers (3) and hex nuts (4).
- D. Repeat at other end of I-Beam.

Step 2



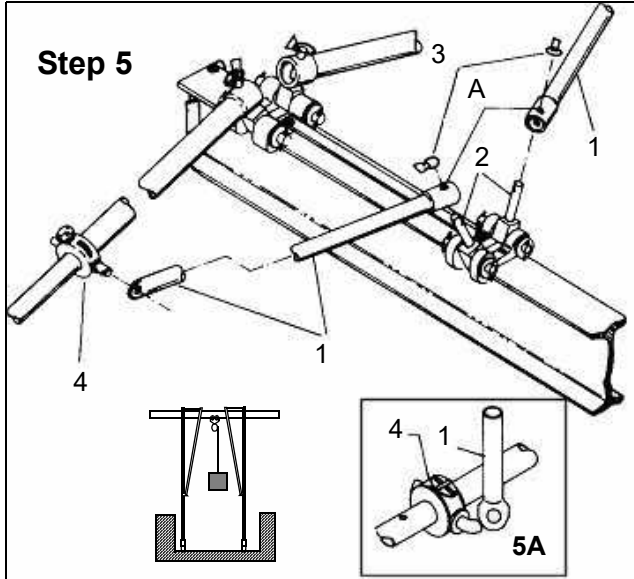
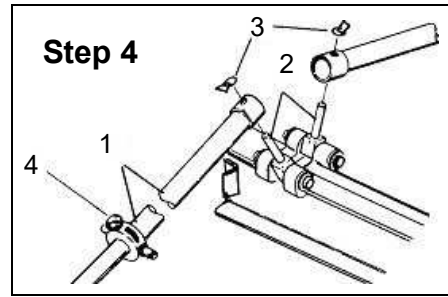
Step 3. Attaching the Casters to the Caster Frame Assemblies

- A. Attach casters (1) and swivel locks to the caster frames as shown, using cap screws (2) lock washers (3) and hex nuts (4) provided.



Step 4. Attaching the Main Legs to the I-beam

- A. Attach a main leg (1) to a main leg swivel pin assembly (2) and secure using locking ring (3). Assemble so that the handle of the load pin (4) is up when the leg is horizontal.
- B. Attach the other main legs as right.

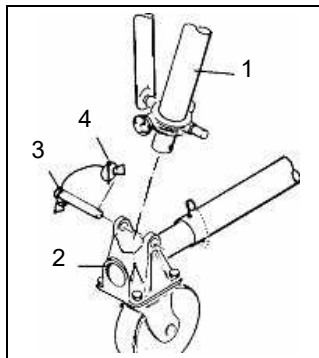
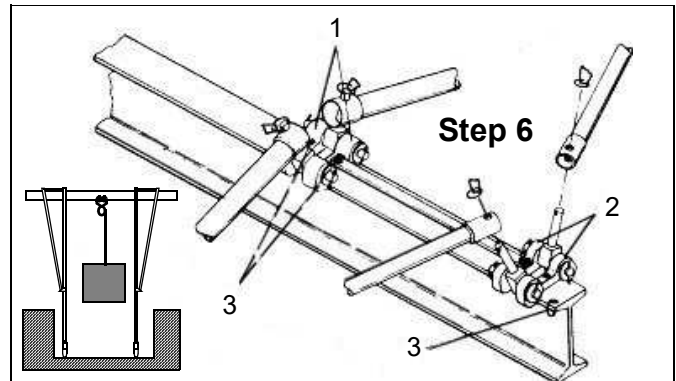


Step 5. Attaching the Brace Legs (Inboard Bracing)

- A. As in detail 5A, attach a brace leg (1) to protrusion of main leg center casting (4). Hold brace leg with flattened end (label on brace leg opposite curved pin) perpendicular to main leg as shown above. Place brace leg hole on curved pin and rotate brace leg over curved pin.
- B. Lower and attach top of brace leg (1) to the leg brace swivel pin assembly (2) in the hole on the brace leg collar marked (A) in illustration left and secure with locking ring (3).
- C. Attach the other brace legs as left.
- D. Tighten set screws in leg brace brackets and main leg brackets to I-Beam.
- E. Secure the four set screws with nuts by tightening the 3/8" nuts.
- F. Raise the I-Beam until the angle between the main legs and the beam is approximately 30°.

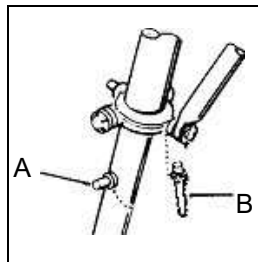
Step 6. Attaching the Brace Legs for Outboard Bracing, (Optional) This can be an advantage when the space at the casters is closer than the length of the I-Beam

- A. Slide the main leg bracket assembly-assembly with thick brackets (1)-on the I-Beam, followed by the leg brace bracket assembly-assembly with narrow brackets (2)-to position on I-Beam for desired span.
- B. Follow Step Numbers 1C and 1D.
- C. Insert locking ring (3) through hole in end of I-Beam to ensure the assembly never slides beyond the end of the I-Beam.
- D. Attach the main legs as in Step No. 4.
- E. Attach the brace legs as in Step No. 5.



Step 7. Attaching the Caster Frames to the Main Legs

- A. Attach Main legs (1) to Caster Frame Castings (2) with Lower Main Leg Pin Assemblies (3) and secure with Locking Pins.



Step 8. Four Safety Stop Pins

- A. If the Gantry is to be left at minimum height, attach the Safety Stop Pins to the Brace Legs (as shown left, so they will be available for future use.
- B. If Gantry is to be assembled with Legs extended, install and secure Safety Stop Pin in the hole below the Load Pin casting

CAUTION: Secure trolley in the center of the I-Beam, with suitable means, such as heavy clamps, when raising or lowering the assembly. Failure to do so may result in injury or death.