



Wallace Fixed Height Gantry Cranes

Operating, Adjustment, and Inspection Instructions

Read, Understand, and Comply with all instructions supplied with this crane. Also, pay attention to the equipment used with this crane such as hoists, trolleys, power drives (if applicable), etc.

Read, Understand, and Comply with the requirements of OSHA (Occupational Safety, and Health Administration) 1910.179

Assembly and Safety Instructions

Inspect Crane Before Moving and/Or Each Day's Use

- Center Load under I-Beam before lifting
- When moving crane under load, position load at center of the I-Beam.
- DO NOT Lift or support humans.
- DO NOT allow load to swing or roll against any supporting members.
- DO NOT TOW or Pull Crane.
- DO NOT OVERLOAD CRANE.
 - Do not lift loads that are heavier than the rated capacity of the crane.
 - Make certain the load is free to be lifted.

Positioning of Crane to Handle Loads

DO

- Keep Load Hook of Hoist in the Shaded Safe Zone.

Allowable

The hinged suspension of the I-Beam allows 7.5° movement to either side to allow for slight off-center loading.

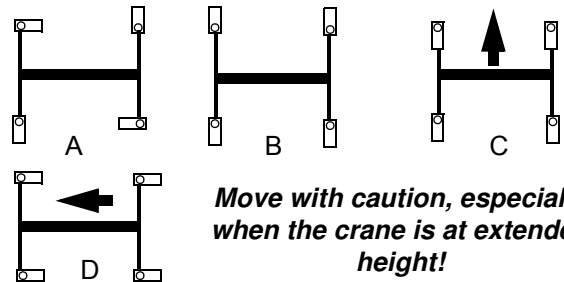
Under normal conditions (for example, the casters positioned at right angles to the I-Beam and the crane is free to roll), the crane will move to self-align over the load.

DO NOT!

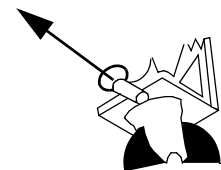
- The crane may "topple" if the hook is not kept in the shaded safe load zone and the crane is not free to align over the load.
- Lifting off centerline at one end of the crane is dangerous! Up to 90% of the load can be carried by ONE leg. Even though rated capacity is not exceeded, the result can be a 90% overload and the trolley is improperly loaded

Positioning of Casters

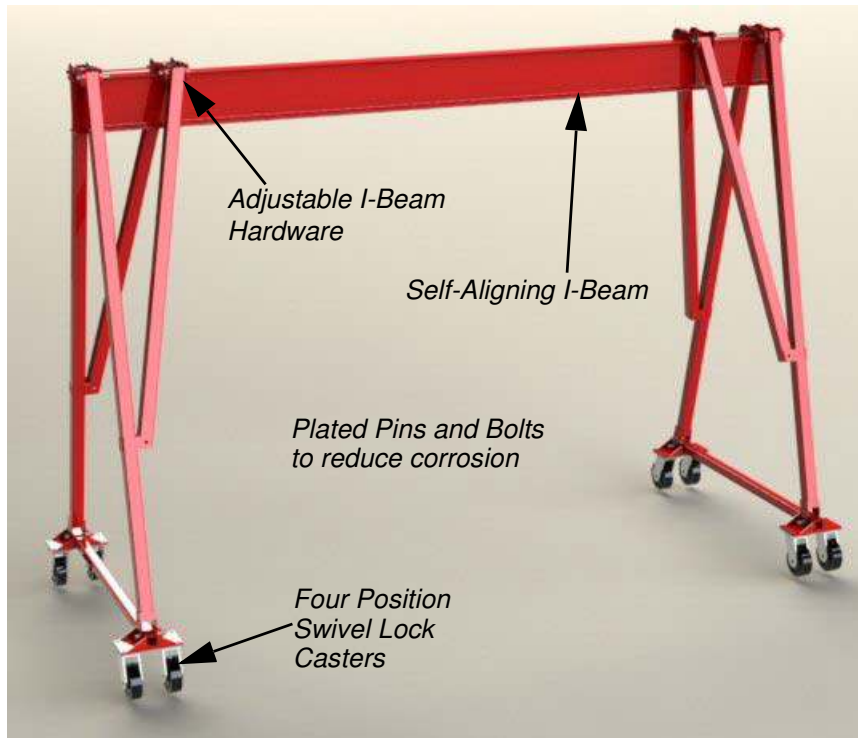
- To secure crane position while lifting load, lock diagonally opposite casters as shown.
- To utilize maximum crane strength, lock casters as shown.
- To move crane and/or load perpendicular to I-beam, lock casters as shown or allow casters to pivot freely.
- To move crane and/or load parallel to I-beam, lock casters as shown or allow casters to pivot freely.



Pull out and turn pin as necessary to provide a locked or unlocked caster position, then release pin.



Wallace Cranes, Built-in Safety

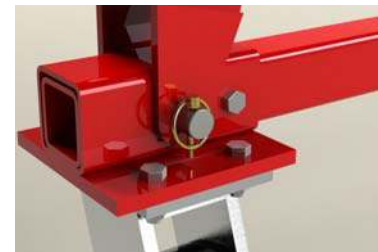


Wallace Fixed Height Visual Check Points

To ensure the safe operation of your crane, inspect it for bent, broken, worn, corroded, cracked, or missing parts. A series of vital checkpoints are described and shown below. Check these areas closely to ensure that all pins and fastening hardware are in place and securely attached. Caution Tags are attached to the Locking Rings and Locking Pins in these critical areas to aid in your inspection. **DO NOT USE** the crane if it does not meet these and the relevant ANSI B30.17 inspection requirements.



1. Brace and main legs are attached to the pin assemblies and secured with locking rings. Locking rings at each end of the I-Beam should be in place and secured to ensure the I-Beam Hardware never slides beyond end of I-Beam.



2. Lower main legs are attached to the caster frame casting with pins, secured with a Klik pin. Inspect casters and wheels for damage, such as cracks, bent king pins, and freedom of movement. Replace any damaged casters immediately.

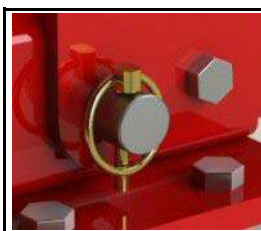
Read, Understand, and Comply with the instructions on the Crane and:

- A. Rated load clearly stenciled on opposite sides of I-beam.
- B. Rated load clearly stenciled on Hoist and Trolley.
- C. Form 379F (This Form) attached in convenient location by user.
- D. Caution tag attached to locking pins.

CAUTION AREAS

Make certain that all **CAUTION** labels are in place and legible. Replacements for damaged or missing labels upon request.

Inspect that rated capacity is plainly marked on each side of I-beam. Each hoisting unit shall have its rated load clearly marked and shall be legible from ground or floor.



Klik pins must be closed.

Wallace Cranes
71 N Bacton Hill Rd.
Malvern, PA 19355



www.wallacecranes.com
800-553-5438

© 2016 All rights reserved.

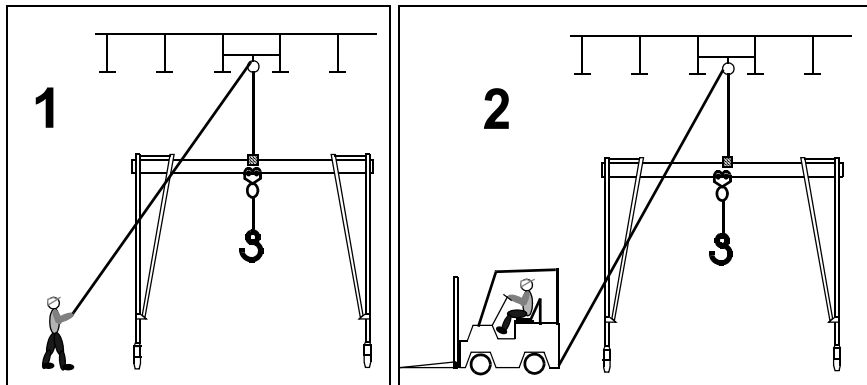
Wallace Cranes, Built-in Safety

General Safety Instructions for Crane Adjustments

- **ADJUSTMENTS** and/or repairs should be made in an area where they will have the least interference with ongoing operations.
- **DO NOT** make adjustments when the crane is under load. If crane is in operation, lower and disconnect the load before making any adjustments.
- **SECURE TROLLEY AND HOIST** to prevent movement during adjustment of crane.

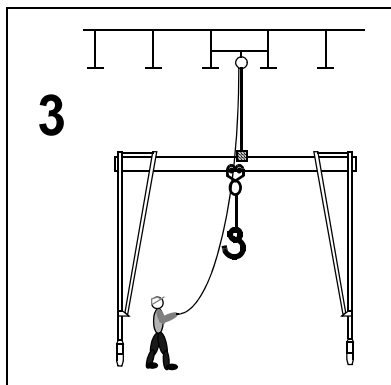
Methods of Supporting Crane for Assembly

DO NOT ASSEMBLE OR DISASSEMBLE OR MAKE ANY ADJUSTMENTS TO CRANE
UNTIL the unit is supported by one of the five methods illustrated below.

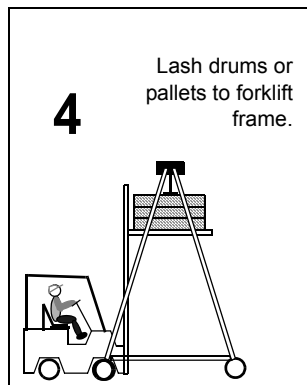


1 Use a Block and Tackle with cable winch with lifting bracket or beam clamp

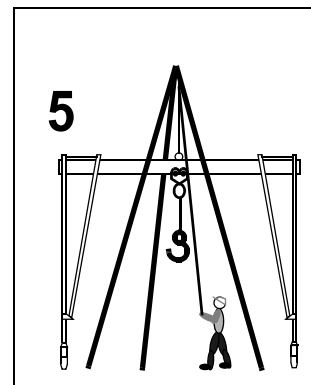
2 Use a block and tackle with lifting bracket or beam clamp with a suitable truck.



3 Use a hand or electric hoist with a lifting bracket or beam clamp.



4 Use a forklift truck.



5 Use a tripod and hoist with a lifting bracket or beam clamp.

Wallace Cranes
71 N Bacton Hill Rd.
Malvern, PA 19355



www.wallacecranes.com
800-553-5438

© 2016 All rights reserved.



Wallace Crane Safety

Safe Use and Operation Instructions & Inspection Checklist

Read, Understand, and Comply with all instructions supplied with this crane. Also, pay attention to the equipment used with this crane such as hoists, trolleys, power drives (if applicable), etc. Read, Understand, and Comply with the requirements of OSHA (Occupational Safety, and Health Administration) 1910.179

To ensure the safe operation of your Gantry, frequently inspect it for BENT, BROKEN, CORRODED, CRACKED, DAMAGED, or MISSING parts. DO NOT USE GANTRY if it does not meet inspection requirements. Please contact Wallace for replacements for any non-functional components.

DO NOT:

- Overload Gantry
- Lift loads greater than the rated capacity.
- Make any adjustments when the Gantry is under load. If necessary to adjust the Gantry, first lower and disconnect the load.
- Lift or support humans.
- Allow the load to swing or roll against any supporting members.
- Tow or Pull Gantry.

DO:

- Make certain the load is not attached to the floor.
- Remove any obstacles that may impede lifting.
- Make adjustments and/or repairs in an area where these operations will have the least impact on the normal operating environment.
- Secure the trolley and hoist to prevent movement during adjustment of the Gantry.
- Position the load at the center of the I-Beam when moving the Gantry under load.
- Use the Gantry at the lowest height possible.

Disclaimer

Please note these instructions were derived from company proprietary materials and (3) source documents including **ANSI B30.17**, **CMAA Specification #74, Revised 1987**, and **OSHA 1910.179**. As excerpts, the short form Wallace documents are intended to serve as general guidelines and are not to be considered the sole source when performing routine maintenance and inspection tasks.

Inspection Checklist on Other Side



Inspection Checklists

Excerpted from ANSI B30.17 –1980

Chapter 17-2 Inspection, Testing, and Maintenance.

Frequent Inspection

- a. Normal service, monthly.
- b. Heavy service, weekly to monthly.
- c. Severe service, daily to weekly.

Periodic Inspection

- a. Normal service, yearly – done in place.
- b. Heavy service, yearly – done in place unless disassembly is indicated (*if you completely disassemble, you must retest*) emphasis WCC.
- c. Severe Service, quarterly – done in place.
- d. Recommended interval as suggested by manufacturer.

Frequent Inspection Checklist

Any deficiencies as listed below shall be examined to determine if they constitute a hazard.

- All functional operating mechanisms for mis-adjustment interfering with proper operations.
- All limit switches should be checked without a load on the hook.
- Lines, tanks, valves, pumps and other parts of the pneumatic system for leakage.
- Hoists as specified in ANSI B30.16-1973

Periodic Inspection Checklist

The crane should be examined to determine if any of the following defects exists. DO NOT USE if any damage is found.

- Deformed, cracked, or corroded structural members
- Loose bolts or rivets.
- Cracked or worn sheaves and drums.
- Worn, cracked or distorted parts, such as pins, bearings, wheels, shafts, gears, rollers, locking and clamping devices, bumpers, switch baffles, interlock bolts, and trolley stops.
- Excessive wear on brake system parts.
- Excessive wear of chain drive sprockets and excessive chain stretch.

