



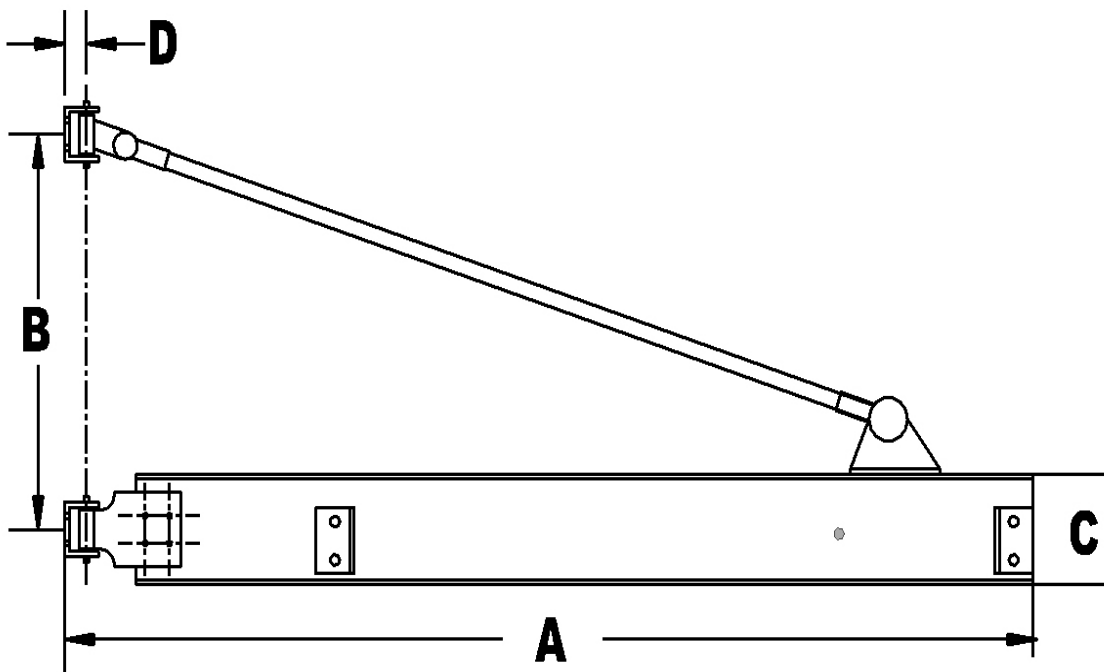
Wall Bracket Cantilever Jib Cranes

Wallace offers cantilever jib cranes designed for use in bays, along walls, in work cells and as supplements to gantry cranes and overhead crane systems. Units have 180+ degree rotation as standard and are available in a variety of capacities and spans as shown in the chart below.

FITTINGS - Heavy duty with effortless rotation, cast iron fittings with roller bearings and zerk fittings for easy field lubrication

BENEFITS vs. WALL BRACKET TIE ROD

- Less headroom needed for mounting
- More headroom for hoist lifting



Dimensional Sketch - [Click to enlarge](#)

Crane Sizes and Model Numbers

	A		B	C	D	
Capacity	Span	Model Number	Support Bracket Center	Boom Depth	Support to Pivot Point	Net Wt.
1/4 Ton	8'	HSCX-J1-08	4'	8"	3"	245
	10'	HSCX-J1-10	4'	8"	3"	298
	12'	HSCX-J1-12	4'	8"	3"	330
	14'	HSCX-J1-14	4'	8"	3"	460
1/2 Ton	8'	HSC0-J1-08	4'	8"	3"	250
	10'	HSC0-J1-10	4'	8"	3"	298
	12'	HSC0-J1-12	4'	8"	3"	330
	14'	HSC0-J1-14	4'	10"	3"	640
1 Ton	8'	HSC1-J1-08	4'	8"	3"	250
	10'	HSC1-J1-10	4'	10"	3"	460
	12'	HSC1-J1-12	4'	10"	3"	490
	14'	HSC1-J2-14	5'	12"	4"	775
2 Ton	8'	HSC2-J2-08	5'	12"	4"	525
	10'	HSC2-J2-10	5'	12"	4"	665
	12'	HSC2-J2-12	5'	12"	4"	740
	14'	HSC2-J2-14	6'	16"	4.5"	1200
3 Ton	8'	HSC3-J3-08	6'	16"	4.5"	790
	10'	HSC3-J3-10	6'	16"	4.5"	840
	12'	HSC3-J3-12	6'	16"	4.5"	960
	14'	HSC3-J3-14	6'	18"	4.5"	1470

Note: Wide flange beams are normally used on Jib Cranes however, American Standard beams may be substituted due to current steel price volatility and availability. These beams may also require special trolleys (consult factory if necessary). Spans up to 20' available.