



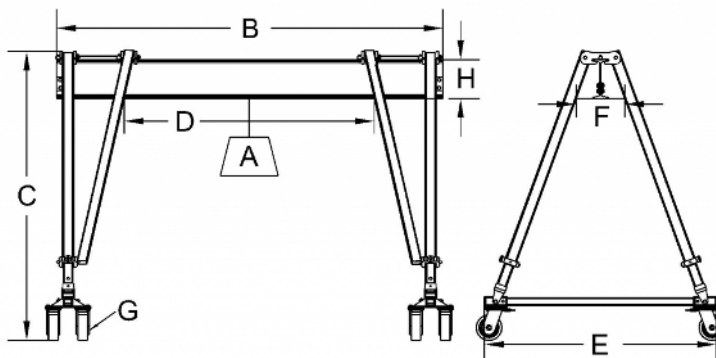
Wallace 3 and 5 Ton Steel Tri-Adjustable Portable Cranes

Wallace portable gantry cranes are ideal for maintenance, manufacturing, repairs, and other material handling tasks. Many customers use our cranes for HVAC, assembly, and repairs of physical equipment. Some of our current users include electric utilities, municipal maintenance (including subways, buses and building facilities), hospitals, universities, research institutions and the military. With adjustable height, span and tread, our all steel Wallace Tri-Adjustable Cranes provide flexible lifting solutions. Available accessories include manual or powered trolleys and hoists, jack kits for frequent crane height adjustments, and kart kits for transporting and/or storing crane. Options for track mounting with V-groove casters and motorizing cranes are also available - click on the accessories tab for more information.

[Tri-Adjustable Square Tube Assembly and Inspection Instructions](#)

Product Features

- I-beam spans from 10' - 35'
- Adjustable span allows inboard or outboard bracing
- Adjustable span allows cantilever configuration overhang limited to 25% of the I-beam length
- Adjustable legs permit crane height adjustment at 6" increments
 - Raise height to go over equipment, material, etc...
 - Lower height to go under low ceilings, doorways, etc...
 - Legs can be set at different heights where floor or terrain is uneven-ideal for loading from truck dock to floor or from ground level to mezzanine
- Adjustable caster tread to roll thru narrow aisles or doorways which prevents costly disassembly
 - Safety cable attached inside caster frame tubes prevents overspreading when adjusting
- Durable construction-high quality heavy gauge steel tubing is used
- Self Aligning I-beam - Exclusive Wallace I-beam support system aligns off-center loads to avoid crane and trolley distortion
 - I-beam support system slides along the I-beam enabling leg spacing adjustments and cantilever configurations
- Height Adjusting Bolts - Main legs are equipped with spring loaded bolts permitting crane height adjustment - they can be locked out until the desired height is reached, then unlocked to engage automatically
- Casters equipped with 4 position swivel lock - when locked 90 degrees with each other, they position crane more firmly than a brake
 - Lock "lead" casters and unlock trailing casters to easily move and steer crane
 - Alternate steel V-grooved casters are available for us on angle iron track
- Completely portable - Stress-proof steel pins with locking rings provide quick assembly and disassembly
 - The optional "Kart Kit" is available and transforms your disassembled crane to a cart which allows easy transportation and storage



Tri-Adjustable Square Tube Dimensional Sketch - [Click to enlarge](#)

Crane Sizes and Model Numbers

A	B		C		D	E		F	G	H	
Capacity	Span	Model Number	Overall Height		Clear Span	Caster Frame Spread		Leg Clear.	Caster Dia.	I-Beam Depth	Ship Wt.
			max	min		max	min				
3 Ton	10'	S6T10-S10AC	10' 1"	6' 11"	5' 11"	6' 6"	4' 0"	11"	8"	8"	695
		S6T12-S10AC	12' 8"	8' 2"	4' 11"	10' 0"	6' 0"	13"	8"	8"	815
		S6T15-S10AC	15' 10"	10' 7"	4' 9"	10' 0"	6' 0"	11"	8"	8"	998
		S6T18-S10AC	18' 6"	12' 0"	3' 10"	12' 11"	7' 5"	12"	8"	8"	1135
		3T24-S10AC	23' 7"	15' 1"	2' 9"	13' 11"	9' 5"	10"	8"	8"	1989
	15'	S6T10-15SAC	10' 1"	6' 11"	11' 1"	6' 6"	4' 0"	13"	8"	10"	898
		S6T12-15SAC	12' 8"	8' 2"	10' 0"	10' 0"	6' 0"	16"	8"	10"	1019
		S6T15-15SAC	15' 10"	10' 6"	9' 9"	10' 0"	6' 0"	14"	8"	10"	1202
		S6T18-15SAC	18' 11"	12' 0"	8' 10"	12' 11"	7' 5"	15"	8"	10"	1339
		3T24-S15AC	23' 7"	15' 2"	7' 8"	13' 11"	9' 5"	12"	8"	10"	2195
	20'	S6T12-20SAC	12' 8"	8' 2"	15' 1"	10' 0"	6' 0"	17"	8"	12"	1277
		S6T15-20SAC	15' 10"	10' 6"	14' 10"	10' 0"	6' 0"	15"	8"	12"	1460
		3T19-20SAC	19' 1"	12' 2"	13' 11"	11' 4"	7' 10"	14"	8"	12"	2061
		3T24-20SAC	23' 7"	15' 2"	12' 9"	13' 11"	9' 5"	14"	8"	12"	2451
	25'	S6T12-S25AC	12' 8"	8' 3"	20' 4"	10' 0"	6' 0"	22"	8"	18"	2017
		S6T15-S25AC	15' 10"	10' 6"	20' 1"	10' 0"	6' 0"	19"	8"	18"	2200
		3T19-25SAC	19' 1"	12' 2"	19' 2"	11' 4"	7' 10"	16"	8"	15"	2497
		3T24-25SAC	23' 7"	15' 2"	17' 10"	13' 11"	9' 5"	16"	8"	15"	2887
	30'	S6T12-M30AC	12' 8"	8' 3"	25' 5"	10' 0"	6' 0"	24"	8"	18"*	2475
		S6T15-M30AC	15' 10"	10' 6"	25' 2"	10' 0"	6' 0"	20"	8"	18"*	2658
		3T19-30SAC	19' 1"	12' 2"	24' 3"	11' 4"	7' 10"	17"	8"	18"	3070
		3T24-30SAC	23' 7"	15' 2"	22' 11"	13' 11"	9' 5"	18"	8"	18"	3460
	35'	S6T12-M35AC	12' 8"	8' 3"	30' 5"	10' 0"	6' 0"	24"	8"	18"*	2870
		S6T15-M35AC	15' 10"	10' 6"	30' 2"	10' 0"	6' 0"	20"	8"	18"*	2870
		3T19-M35AC	19' 1"	12' 2"	29' 3"	11' 4"	7' 10"	17"	8"	18"*	3649
		3T24-M35AC	23' 8"	15' 3"	27' 11"	13' 11"	9' 5"	17"	8"	18"*	4039

***I-Beam Reinforced**

A	B		C		D	E		F	G	H	
Capacity	Span	Model Number	Overall Height		Clear Span	Caster Frame Spread		Leg Clear.	Caster Dia.	I-Beam Depth	Ship Wt.
			max	min		max	min				
5 Ton	10'	5T10-10AC	10' 6"	6' 10"	6' 3"	6' 4"	4' 10"	12"	8"	10"	1147
		5T15-10AC	14' 8"	9' 5"	5' 1"	8' 11"	6' 5"	12"	8"	10"	1401
		5T19-10AC	19' 0"	12' 2"	3' 11"	11' 4"	7' 10"	12"	8"	10"	1678
		5T24-10AC	23' 7"	15' 2"	2' 8"	13' 11"	9' 5"	12"	8"	10"	2068
	15'	5T10-15AC	10' 6"	6' 10"	11' 3"	6' 4"	4' 10"	13"	8"	12"	1371
		5T15-15AC	14' 8"	9' 5"	10' 2"	8' 11"	6' 5"	14"	8"	12"	1625
		5T19-15AC	19' 0"	12' 2"	9' 0"	11' 4"	7' 10"	14"	8"	12"	1902
		5T24-15AC	23' 7"	15' 2"	7' 9"	13' 11"	9' 5"	14"	8"	12"	2292
	20'	5T10-20AC	10' 6"	6' 10"	16' 4"	6' 4"	4' 10"	15"	8"	15"	1752
		5T15-20AC	14' 8"	9' 5"	15' 3"	8' 11"	6' 5"	16"	8"	15"	2006
		5T19-20AC	19' 1"	12' 2"	14' 1"	11' 4"	7' 10"	16"	8"	15"	2283
		5T24-20AC	23' 7"	15' 2"	12' 10"	13' 11"	9' 5"	16"	8"	15"	2673
	25'	5T15-25AC	14' 8"	9' 5"	20' 4"	8' 11"	6' 5"	18"	8"	18"	2519
		5T19-25AC	19' 0"	12' 2"	19' 2"	11' 4"	7' 10"	18"	8"	18"	2796
		5T24-25AC	23' 7"	15' 2"	17' 11"	13' 11"	9' 5"	18"	8"	18"	3186
	30'	5T15-M30AC	14' 9"	9' 6"	25' 7"	8' 11"	6' 5"	22"	8"	18"*	3111
		5T19-M30AC	19' 1"	12' 3"	24' 5"	11' 4"	7' 10"	17"	8"	18"*	3388
		5T24-M30AC	23' 8"	15' 3"	23' 2"	13' 11"	9' 5"	17"	8"	18"*	3788
	35'	5T15-M35AC	14' 9"	9' 6"	30' 7"	8' 11"	6' 5"	17"	8"	18"*	3713
		5T19-M35AC	19' 1"	12' 3"	29' 5"	11' 4"	7' 10"	17"	8"	18"*	3990
		5T24-M35AC	23' 8"	15' 3"	28' 2"	13' 11"	9' 5"	17"	8"	18"*	4380

***I-Beam Reinforced**