



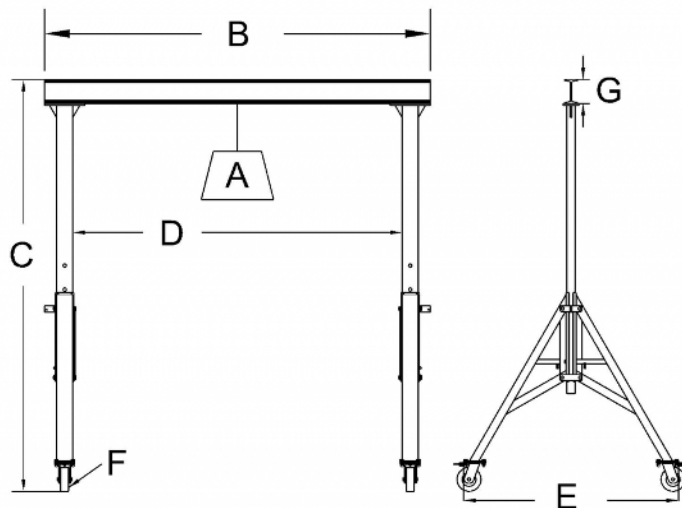
Wallace 1 to 7.5 Ton Steel Thrifty Fixed Height Cranes

Wallace portable gantry cranes are ideal for maintenance, manufacturing, repairs and other material handling tasks. Many customers use our cranes for HVAC, assembly, and repairs of physical equipment. Some of our current users include electric utilities, municipal maintenance (including subways, buses and building facilities), hospitals, universities, research institutions and the military. Our Thrifty Steel cranes are available in adjustable and fixed heights and offer the greatest clear span of any Wallace Crane allowing you flexible lifting solutions. Available accessories include manual or powered trolleys and hoists, cable ratchet kits (up to 5 ton capacities) for frequent crane height adjustments, and adjust-a-span kits (available on I-beams 15' or less). Options for track mounting with V-groove caster and motorizing cranes are also available. Click on the accessories tab for more information.

[Thrifty Adjustable Crane Assembly and Inspection](#)

Product Features

- Economical alternative to our Tri-Adjustable Crane
- I-beam spans from 10' - 35'
 - American Standard Steel I-Beams
- Strong rectangular posts and frames
- Gussets for added strength eliminate the need for brace legs which allows for greater clear span
- Adjustable & Fixed Height
 - Adjustable height available from 10'2" to 18'1"
 - Fixed height models can have customized heights
- Adjustable height models permit crane height adjustment at 6" increments
 - Raise height to go over equipment, material, etc...
 - Lower height to go under low ceilings, doorways, etc...
 - Legs can be set at different heights where floor or terrain is uneven-ideal for loading from truck dock to floor or from ground level to mezzanine
- Adjustable height models have spring loaded bolts that engage quickly
- Casters equipped with 4 position swivel lock-when locked 90 degrees with each other, they position crane more firmly than a brake
 - Lock "lead" casters and unlock trailing casters to easily move and steer crane
 - Alternate steel V-grooved casters are available for use on angle iron track
- Cable Ratchet Hoist Kit - Available to speed height adjustments on 1 ton thru 5 ton adjustable models
- Adjust-a-Span Kit - Allows frame and post assembly to slide along the I-beam
 - Kit available for spans up to 15'0"



Thrifty Crane Dimensional Sketch - [Click to enlarge](#)

Crane Sizes and Model Numbers

A	B		C	D	E	F	G	
Capacity	Span	Model Number	Overall Height	Clear Span	Tread	Caster Dia.	I-Beam Depth	Ship Wt.
1 Ton	8'	F29-8AC	9'6"	6'10"	5'4"	6"	6"	333
	10'	F29-10AC	9'6"	8'10"	5'4"	6"	6"	358
	15'	F29-15AC	9'8"	13'10"	5'4"	6"	8"	509
	20'	F29-20AC	9'8"	18'10"	5'4"	6"	8"	604
	25'	F29-25AC	9'10"	23'10"	5'4"	6"	10"	868
2 Ton	10'	F410-10AC	10'9"	8'6"	6'6"	8"	8"	632
	15'	F410-15AC	10'11"	13'6"	6'6"	8"	10"	859
	20'	F410-20AC	10'11"	18'6"	6'6"	8"	10"	986
	25'	F410-25AC	11'1"	23'6"	6'6"	8"	12"	1273
	30'	F410-30AC	11'4"	28'6"	6'6"	8"	15"	1765
	35'	F410-35AC	11'7"	33'6"	6'6"	8"	18"	2398
3 Ton	10'	F612-10AC	13'9"	8'6"	6'6"	8"	10"	912
	15'	F612-15AC	13'9"	13'6"	6'6"	8"	10"	1039
	20'	F612-20AC	13'11"	18'6"	6'6"	8"	12"	1294
	25'	F612-25AC	14'2"	23'6"	6'6"	8"	15"	1730
	30'	F612-30AC	14'5"	28'6"	6'6"	8"	18"	2299
	35'	F612-M35AC	14'7"	33'6"	6'6"	8"	18"*	2878
5 Ton	10'	F1015-10AC	16'8"	8'6"	6'6"	8"	10"	970
	15'	F1015-15AC	16'11"	13'6"	6'6"	8"	12"	1193
	20'	F1015-20AC	17'2"	18'6"	6'6"	8"	15"	1574
	25'	F1015-25AC	17'5"	23'6"	6'6"	8"	18"	2083
	30'	F1015-M30AC	17'7"	28'6"	6'6"	8"	18"*	2675
	35'	F1015-M35AC	17'8"	33'6"	6'6"	8"	18"*	3277
7.5 Ton	10'	F1515-10	17'1"	8'6"	6'6"	10"	12"	1274
	15'	F1515-15	17'4"	13'6"	6'6"	10"	15"	1599
	20'	F1515-20	17'7"	18'6"	6'6"	10"	18"	2050
	25'	F1515-M25	17'10"	23'6"	6'6"	10"	18"*	2610
	30'	F1515-30	17'10"	28'6"	6'6"	10"	18"*	3317
	35'	F1515-35	18'4"	33'6"	6'6"	10"	24"*	4201

*I-Beam Reinforced