



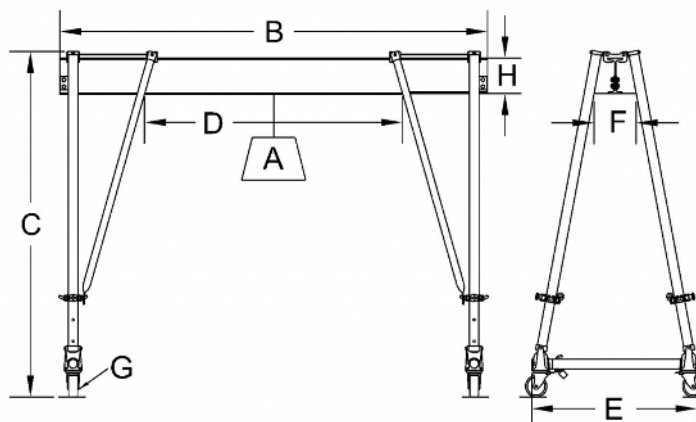
Wallace Steel/Aluminum Tri-Adjustable Portable Cranes

Wallace portable gantry cranes are ideal for maintenance, manufacturing, repairs and other material handling tasks. Many customers use our cranes for HVAC, assembly, and repairs of physical equipment. Some of our current users include electrical utilities, municipal maintenance (including subways, buses and building facilities), hospitals, universities, research institutions and the military. With adjustable height, span and tread Wallace Tri-Adjustable Cranes provide flexible lifting solutions. The Steel Frame/Aluminum I-Beam design make these cranes the ideal combination of high lifting capacity and reduced weight. Available accessories include manual or powered trolleys and hoists, jack kits for frequent crane height adjustments, and kart kits for transporting and/or storing crane. Options for track mounting with V-groove casters and motorizing cranes are also available - click on the accessories tab for more information.

[Tri-Adjustable Assembly Instructions](#)

Product Features

- I-beam spans from 10' - 15' (up to 20' spans on 1 ton models only)
- Adjustable span allows inboard or outboard bracing
- Adjustable span allows cantilever configuration overhang limited to 25% of the I-beam length
- Adjustable legs permit crane height adjustment at 6" increments
 - Raise height to go over equipment, material, etc...
 - Lower height to go under low ceilings, doorways, etc...
 - Legs can be set at different heights where floor or terrain is uneven-ideal for loading from dock to floor or from ground level to mezzanine
- Adjustable caster tread to roll thru narrow aisles or doorways which prevents costly disassembly
 - Safety cable attached inside of caster frame tubes prevents overspreading when adjusting
- Durable construction - high quality heavy gauge steel and aluminum tubing are used
- Self aligning I-beam - Exclusive Wallace I-beam support system aligns off-center loads to avoid crane and trolley distortion
 - I-beam support system slides along the I-beam enabling fixed leg spacing adjustments and cantilever configurations
- Height Adjusting Bolts - Main legs are equipped with spring loaded bolts permitting crane height adjustments - they can be locked out until the desired height is reached, then unlocked to engage automatically
- Casters equipped with 4 position swivel lock - when locked 90 degrees with each other, they position crane more firmly than a brake
 - Lock "lead" casters and unlock trailing casters to easily move and steer crane
 - Alternate steel V-grooved casters are available for use on angle iron track
- Completely portable - Stress-proof steel pins with locking rings provide quick assembly and disassembly
 - Many aluminum crane models can be hand carried
 - The optional "Kart Kit" is available and transforms your disassembled crane to a cart which allows easy transportation and storage



Combo (Steel & Aluminum) Dimensional Sketch - Click to enlarge

Crane Sizes and Model Numbers

A	B		C		D	E		F	G	H	
Capacity	Span	Model Number	Overall Height		Clear Span	Caster Frame Spread		Leg Clear.	Caster Dia.	I-Beam Depth	Ship Wt.
			max	min		max	min				
1 Ton	10'	S2T10-A10AC	9'9"	6'7"	6'0"	6'5"	3'11"	10"	6"	6"	390
		S2T12-A10AC	12'4"	7'10"	5'1"	10'0"	6'0"	13"	6"	8"	495
		S2T15-A10AC	15'6"	10'2"	4'10"	10'0"	6'0"	11"	6"	8"	550
		S2T18-A10AC	18'7"	12'0"	3'10"	12'11"	7'5"	12"	8"	8"	1015
		S2T21-A10AC	21'8"	14'3"	3'7"	12'11"	7'5"	11"	8"	8"	985
	15'	S2T10-A15AC	9'9"	6'7"	11'2"	6'5"	3'11"	13"	6"	10"	354
		S2T12-A15AC	12'4"	7'11"	10'2"	10'0"	6'0"	15"	6"	10"	570
		S2T15-A15AC	15'7"	10'1"	9'11"	10'0"	6'0"	14"	6"	10"	633
		S2T18-A15AC	18'7"	12'0"	8'10"	12'11"	7'5"	14"	8"	10"	1092
		S2T21-A15AC	21'8"	14'3"	8'8"	12'11"	7'5"	14"	8"	12"	1098
2 Ton	10'	S4T10-A10AC	9'9"	6'7"	6'2"	6'5"	3'11"	13"	6"	10"	443
		S4T12-A10AC	12'4"	7'11"	5'2"	10'0"	6'0"	15"	6"	10"	525
		S4T15-A10AC	15'10"	10'6"	4'10"	10'0"	6'0"	13"	8"	10"	910
		S4T18-A10AC	18'7"	12'0"	3'10"	12'11"	7'5"	14"	8"	10"	1047
		S4T21-A10AC	21'8"	14'3"	3'7"	12'11"	7'5"	13"	8"	10"	1017
	15'	S4T10-A15AC	9'10"	6'7"	11'3"	6'5"	3'11"	15"	6"	12"	524
		S4T12-A15AC	12'5"	7'11"	10'3"	10'0"	6'0"	17"	6"	12"	606
		S4T15-A15AC	15'10"	10'6"	9'10"	10'0"	6'0"	15"	8"	12"	991
		S4T18-A15AC	18'7"	12'0"	8'11"	12'11"	7'5"	16"	8"	12"	1128
		S4T21-A15AC	21'8"	14'3"	8'7"	12'11"	7'5"	14"	8"	12"	1098
3 Ton	10'	S6T10-A10AC	10'1"	6'11"	6'0"	6'6"	4'0"	13"	8"	10"	606
		S6T12-A10AC	12'8"	8'3"	5'0"	10'0"	6'0"	15"	8"	10"	727
		S6T15-A10AC	15'11"	10'7"	4'11"	10'0"	6'0"	15"	8"	12"	936
		S6T18-A10AC	18'7"	12'0"	3'11"	12'11"	7'5"	16"	8"	12"	1073
		3T24-A10AC	23'7"	15'2"	2'9"	14'0"	9'6"	14"	8"	12"	1958
	15'	S6T10-A15AC	10'2"	6'11"	11'1"	6'6"	4'0"	14"	8"	12"*	719
		S6T12-A15AC	12'8"	8'3"	10'1"	10'0"	6'0"	17"	8"	12"*	840
		S6T15-A15AC	15'10"	10'6"	9'10"	10'0"	6'0"	15"	8"	12"*	1023
		S6T18-A15AC	18'7"	12'0"	8'11"	12'11"	7'5"	16"	8"	12"*	1160
		3T24-A15AC	23'7"	15'2"	7'9"	14'0"	9'6"	14"	8"	12"*	2013

* I-Beam Reinforced

A	B		C		D	E		F	G	H	
Capacity	Span	Model Number	Overall Height		Clear Span	Caster Frame Spread		Leg Clear.	Caster Dia.	I-Beam Depth	Ship Wt.
			max	min		max	min				
5 Ton	10'	5T10-A10AC	10'6"	6'10"	6'3"	6'5"	4'11"	12"	8"	12"	1006
		5T15-A10AC	14'8"	9'5"	5'1"	8'11"	6'5"	12"	8"	12"	1260
		5T19-A10AC	19'0"	12'2"	3'11"	11'5"	7'11"	12"	8"	12"	1537
		5T24-A10AC	23'7"	15'2"	2'8"	14'0"	9'6"	12"	8"	12"	1927
	15'	5T10-A15AC	10'6"	6'10"	11'3"	6'5"	4'11"	13"	8"	12"*	1092
		5T15-A15AC	14'8"	9'5"	10'2"	8'11"	6'5"	14"	8"	12"*	1346
		5T19-A15AC	19'0"	12'2"	9'0"	11'5"	7'11"	14"	8"	12"*	1623
		5T24-A15AC	23'7"	15'2"	7'9"	14'0"	9'6"	14"	8"	12"*	2013

* I-Beam Reinforced