



Wallace Fixed Height Gantry Cranes

Thrifty Assembly Instructions

Read, Understand, and Comply with all instructions supplied with this crane. Also, pay attention to the equipment used with this crane such as hoists, trolleys, power drives (if applicable), etc. Read, Understand, and Comply with the requirements of OSHA (Occupational Safety, and Health Administration) 1910.179

Parts List

Item Description

- | | |
|----|-----------------------|
| 1 | I-Beam |
| 2 | End Frame |
| 3 | Caster |
| 4 | Cap Screw -- Caster |
| 5 | Lock Washer -- Caster |
| 6 | Hex Nut -- Caster |
| 7 | Cap Screw |
| 8 | Bevel Washer |
| 9 | Lock Washer |
| 10 | Hex Nut |

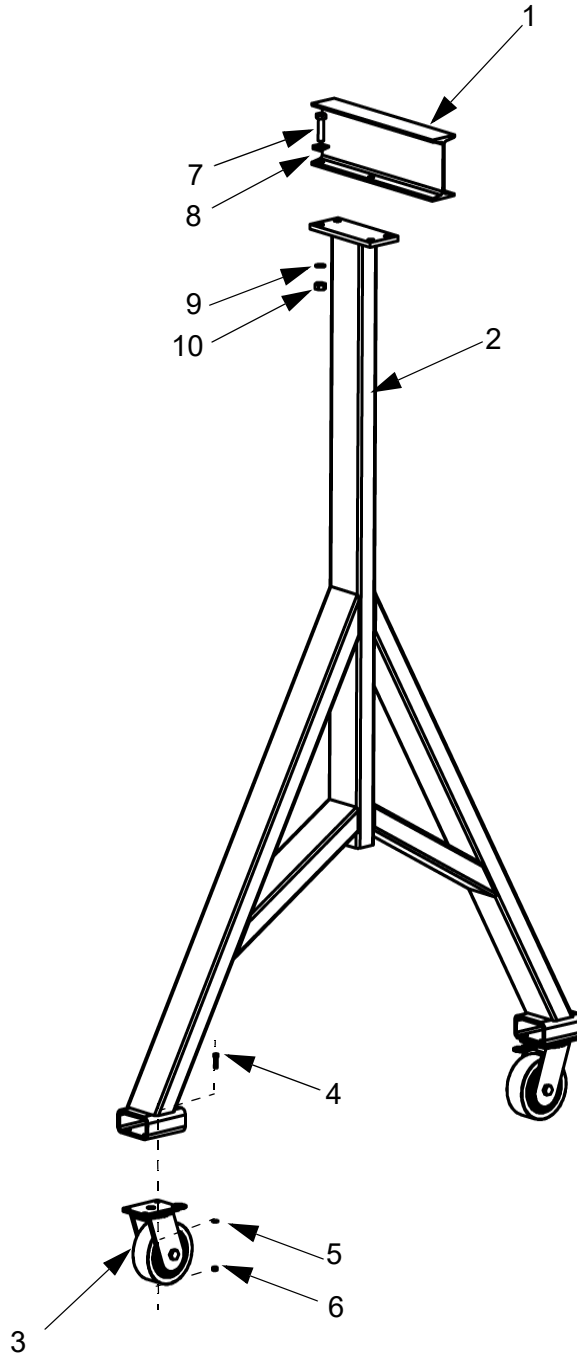
When ordering parts, specify Item Number, Description, and Model Number of your Gantry Crane.

CAUTION AREAS

Make sure that all CAUTION labels and safety tags are in place and legible. Inspect that rated capacity is plainly marked on each side of I-Beam. Each hoisting unit shall have its rated load clearly marked and legible from ground or floor.

Before you Begin

- Clear an open area at least as large as 2 X the frame length and wider than the beam.
- Get a crane or lifting device capable of lifting the entire weight of the completed crane.
- Assemble a work crew of no less than three. One will operate the lifting crane and the others perform the assembly. You may need more to lift the higher capacity legs.

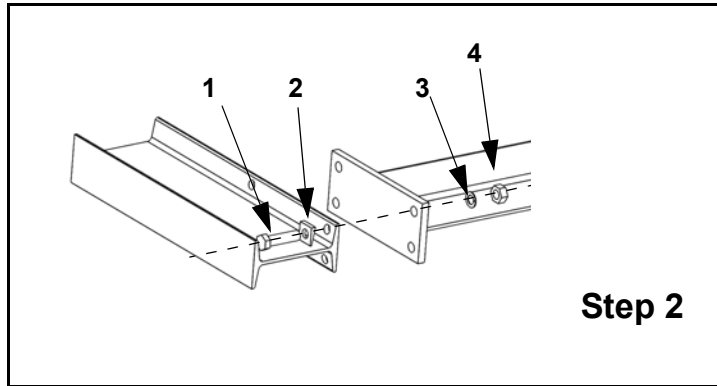


Assembly Instructions

For assembly, select an area with a safe lifting means. For easiest and safest assembly, use an area with two overhead hoists (for example an overhead crane) to raise the I beam when required.

Step 1. Installing the Trolley (Sold Separately)

- A. Raise the I-Beam, using a safe lifting means, so stencilling is right-side up.
- B. Install Trolley from either end of the beam on the lower flange of the beam
- C. Lock Trolley in center of beam using C-Clamps on the bottom flange of the beam.



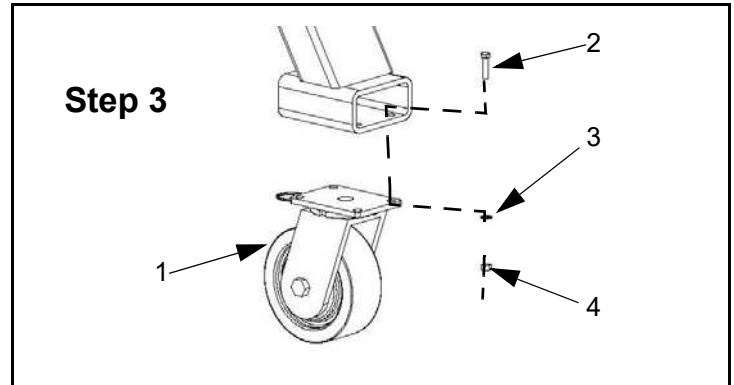
Step 2

Step 2. Attaching the Post to the I-Beam

- A. Place adapter plate end of frames on suitable supports (barrels, boxes, horses, etc., so that frames are at the applicable distance apart for each other for easy attachment to beam.
NOTE Frames are to be on edge so that one caster plate is directly above the other.
- B. Place I-Beam web side down on suitable supports to align bottom flange of I-Beam with adapter p-lates of Frame.
NOTE If unit is equipped with adjust-a-span kit, disregard 2C through 2D and refer to adjust-a-span kit instructions.
- C. Insert cap screws (1) with bevel washers (2) through flange of I-Beam and adapter plates of the posts.
- D. Insert lock washers (3) and hex nuts (4) on cap screws (1) and tighten cap screws and hex nuts.
- E. Raise the I-Beam lift frames using a safe lifting means.

Step 3. Attaching Casters to the Frames

- A. Raise the I-Beam, so that the frames are sufficiently above the floor for installation of the casters.
- B. Attach casters with swivel locks (1) to the frame as shown, using cap screw (2), lock washer (3) and hex nut (4) provided.
- C. Lower gantry so that casters are on floor and remove lifting means.
NOTE For track-mounted gantries - if frames/casters do not properly align with track, slightly loosen bolts that attach posts to frames and re-tighten.



Step 3

Step 4. Remove C-Clamps on Bottom Flange of Beam (to release Trolley)

**ALL BOLTS SHOULD BE TIGHTENED TO 25 FOOT POUNDS
25 FOOT POUNDS = 300 INCH POUNDS**

See Safe Use Instruction Form 1004