

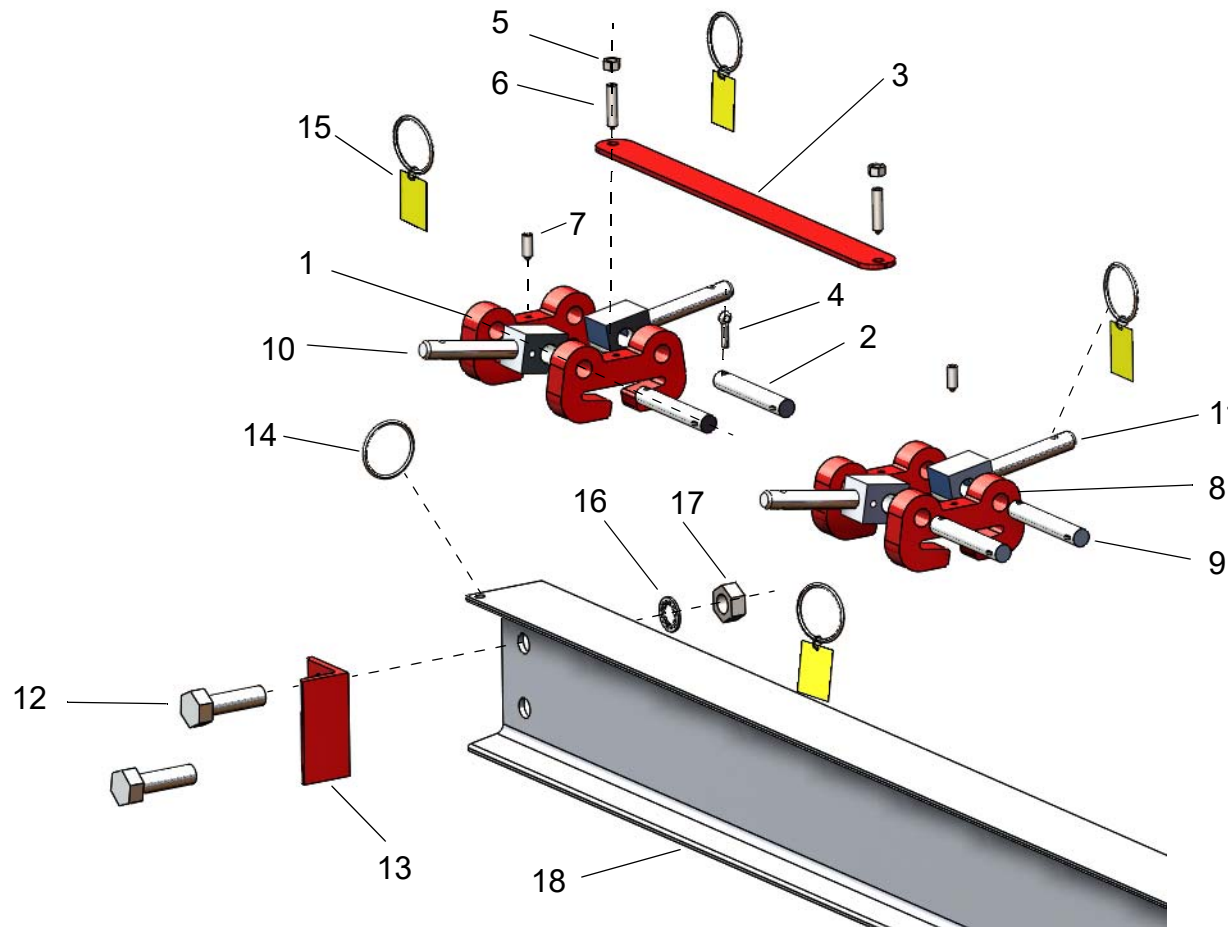
MODEL NUMBER A3T12-A12

ITEM NO.	PART DESCRIPTION	PART NUMBER	QUAN.
1	MAIN LEG BRACKET	1552-0000	4
2	SUPPORT PIN 11/16 DIA. X 4 9/16 LG.	5017-0004	4
3	SPACER BAR 26 3/8 LG.	1744-0005	2
4	COTTER PIN 1/4 X 1 1/4 LG.	60-0070	8
5	NEX. NUT 3/8-24NC	54-0100	4
6	SOC. SET SCREW 3/8-24NF X 1 3/4 LG.	63-0110	4
7	SOC. SET SCREW 3/8-24NF X 1 LG.	63-0100	4
8	LEG BRACE BRACKET	1762-0000	4
9	SUPPORT PIN 11/16 DIA. X 4 1/8 LG.	2853-0000	4
10	MAIN LEG SWIVEL PIN	1559-0000	4
11	LEG BRACE SWIVEL PIN	1563-0000	4
12	HEX. HD. BOLT 3/4-10NC X 2 1/2 LG.	51-0480	4
13	TROLLEY STOP ANGLE	5132-0000	4
14	KEY RING 2 1/4 OD.	82-0030	10
15	CAUTION TAG No. 399	1969-RING	12
16	LOCK WASHER INT. TOOTH 3/4	58-0040	4
17	HEX. NUT 3/4-10NC	54-0040	4
18	I BEAM AL. 10" X 12' LG.	752-0120	1
19	LEG BRACE ASSEMBLY	1542-0080	4
20	MAIN LEG ASSEMBLY	1650-0081	4
21	UPPER MAIN LEG	1651-0080	4
22	ROLL PIN 5/32 X 3/4 LG.	61-0300	4
23	LOAD PIN	3016-0000	4
24	EXTENSION SPRING	1017-0000	8
25	LOWER MAIN LEG	1652-0080	4
26	CASTER FRAME ASSEMBLY	696-0020	2
27	LOWER MAIN LEG PIN ASSEMBLY	1999-0000	4
28	HEX. HD. BOLT 1/2-13NC X 4 LG.	51-0460	4
29	SAFETY CABLE ASS'Y 121" LG.	1967-0020	2
30	OUTER CASTER FRAME TUBE	697-0020	2
31	CASTER FRAME ADJUSTMENT PIN	1392-0000	2
32	INNER CASTER FRAME TUBE	698-0020	2
33	CASTER CASTING FOR INNER TUBE	2455-0010	2
34	CASTER CASTING FOR OUTER TUBE	2456-0010	2
35	LOCK WASHER INT. TOOTH 1/2	58-0020	4
36	HEX. NUT 1/2-13NC	54-0050	4
37	HEX. HD. BOLT 3/8-16NC X 1 1/2 LG.	51-0190	16
38	LOCK WASHER INT. TOOTH 3/8	58-0060	16
39	HEX. NUT 3/8-16NC	54-0060	16
40	CASTER WHEEL 8" DIA.	47-0010	4
41	SAFETY STOP ASSEMBLY	3112-0001	4



Wallace Cranes Parts Location

Round Tube Tri-Adjustable

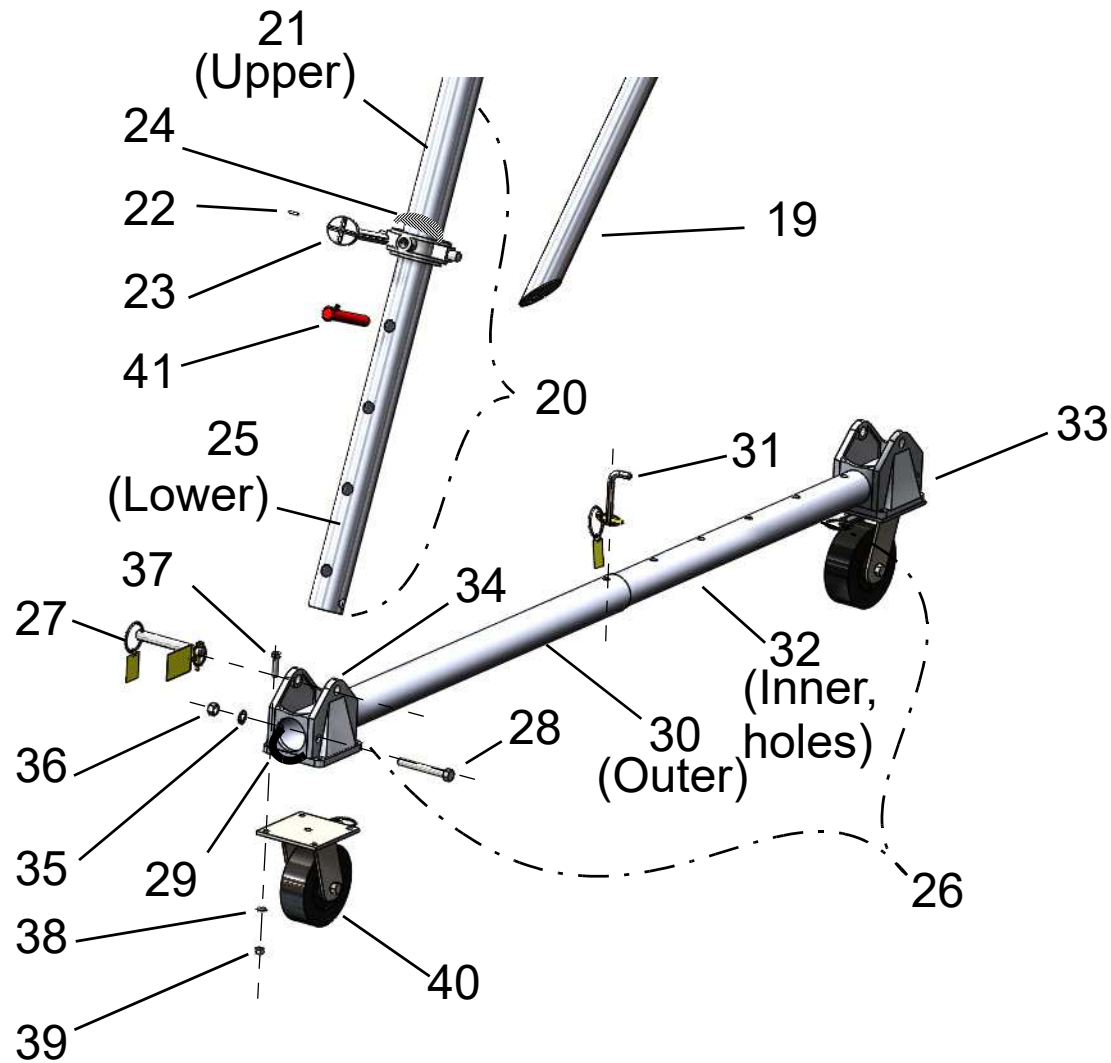


Item No.	Part Desc.
1	Main leg bracket
2	Support Pin
3	Spacer bar
4	Cotter Pin
5	Hex Nut
6	Set Screw (long)
7	Set Screw (short)
8	Brace Leg Bracket
9	Support Pin
10	Main Leg Swivel Pin
11	Leg Brace Swivel Pin
12	Hex Bolt
13	Trolley Stop Angle
14	Key Ring
15	Caution Tag (399)
16	Lock washer (internal tooth)
17	Hex Nut
18	I-Beam

Wallace Cranes
71 N Bacton Hill Rd.
Malvern, PA 19355



www.wallacecranes.com
800-553-5438
©2017 All rights reserved



Caster Frame
Assembly
Parts Location

Wallace Cranes
71 N Bacton Hill Rd.
Malvern, PA 19355

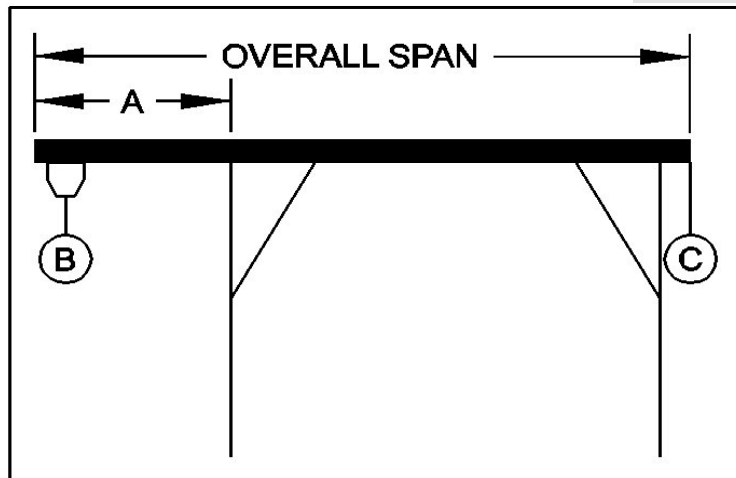


www.wallacecranes.com
800-553-5438
©2017 All rights reserved



PORTABLE CRANE CANTILEVER CHART

GANTRY MODEL NUMBER:	A3T12-A12
I-BEAM:	Alu. 10" X 8.8#/' X 12'
I-BEAM LENGTH (OVERALL SPAN):	144 Inches
MAXIMUM CANTILEVER DISTANCE (A):	36 Inches
GANTRY RATED CAPACITY:	3000 Lbs.
MAXIMUM CANTILEVERED LOAD (B):	1800 Lbs.
GANTRY WEIGHT:	423 Lbs.
I-BEAM WEIGHT:	106 Lbs.



PROPER CANTILEVER PROCEDURES
Required counterweight should not be supported by gantry caster frame.

Load and trolley should be able to freely traverse the I-beam through the main legs and brace legs of the gantry.

REQUIRED COUNTERWEIGHT AT [C]

A	B	B	B	B	B	B
IN	300	600	900	1200	1500	1800
FEET	LBS.	LBS.	LBS.	LBS.	LBS.	LBS.
1	0	0	0	11	66	120
2	0	39	159	279	399	519
3	6	206	406	606	806	1006