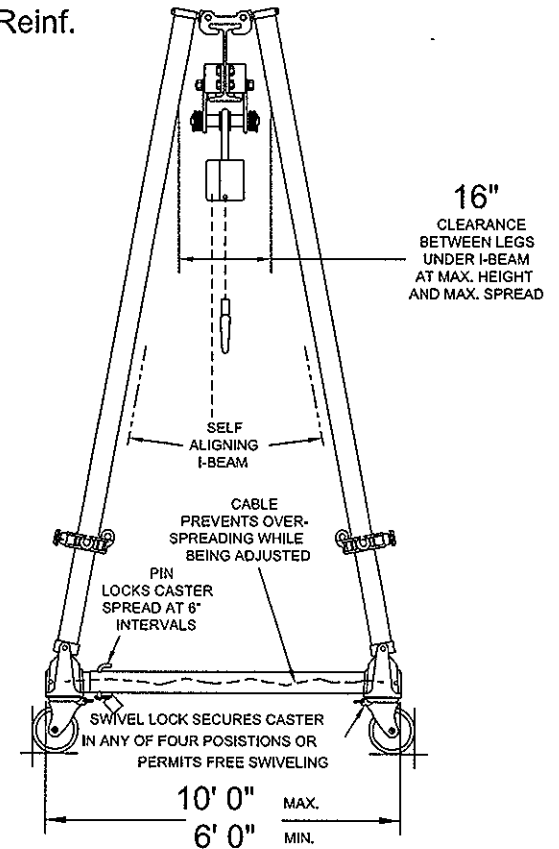


12" Reinf.
Alu.



Round Tube Aluminum Frames and Aluminum I-Beam

All Dimensions are $\pm 1/2"$

© Copyright Wallace Cranes 2017. All rights reserved.



MODEL No. S6T18-A15AC

UNLESS OTHERWISE SPECIFIED DIMENSIONS ARE IN INCHES TOLERANCES ON		Wallace Cranes MALVERN, PENNSYLVANIA	
FRACTION	DECIMAL	TITLE	
$\pm 1/2"$	$\pm 0.015"$	TRI-ADJUSTABLE GANTRY H.D.	
DRAWN BY J. Finkert	DATE 2-21-17	SCALE	DWG C
CHECKED	APPROVAL	NTS	DRAWING No.
REVISIONS	DATE	BY	REV.