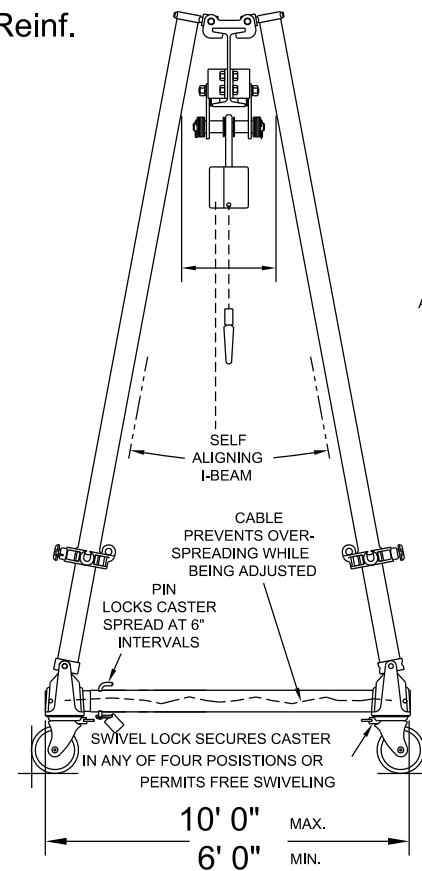


18" Reinf.
Stl.



Round Tube Aluminum Frames and Aluminum I-Beam

All Dimensions are $\pm 1/2"$

MODEL No. **S6T15-M35AC**

© Copyright Wallace Cranes 2017. All rights reserved.



UNLESS OTHERWISE SPECIFIED DIMENSIONS ARE IN INCHES TOLERANCES ON				Wallace Cranes MALVERN, PENNSYLVANIA TITLE TRI-ADJUSTABLE GANTRY H.D.			
FRACTION	DECIMAL	DRAWN BY	DATE				
$\pm 1/2"$	$\pm 0.5"$	J. Finkel	2-21-17	NTS			
CHECKER	APPROVAL	DESCRIPTION	DATE	INT.	REV.		