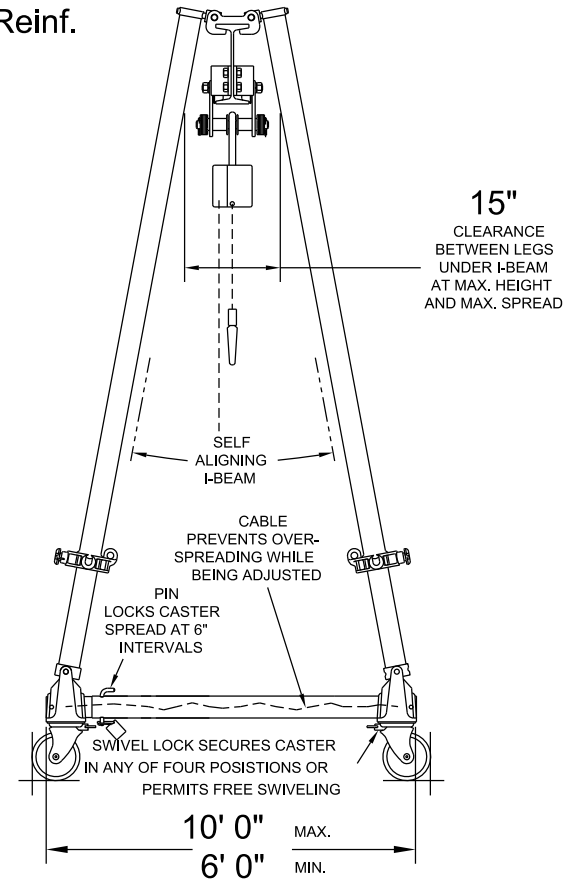


12" Reinf.
Alu.



Round Tube Aluminum Frames and Aluminum I-Beam

All Dimensions are $\pm 1/2"$

MODEL No. S6T15-A15AC

© Copyright Wallace Cranes 2017. All rights reserved.



UNLESS OTHERWISE SPECIFIED DIMENSIONS ARE IN INCHES TOLERANCES ON FRACTION DECIMAL $\pm 1/2"$ $\pm 0.5"$				Wallace Cranes MALVERN, PENNSYLVANIA TITLE TRI-ADJUSTABLE GANTRY H.D.	
DRAWN BY J. Finkel		DATE 2-21-17		SCALE NTS	
CHECKER		APPROVAL		WT. DWS C SIZE	
SYMBOL		REVISIONS		DRAWING No. REV.	