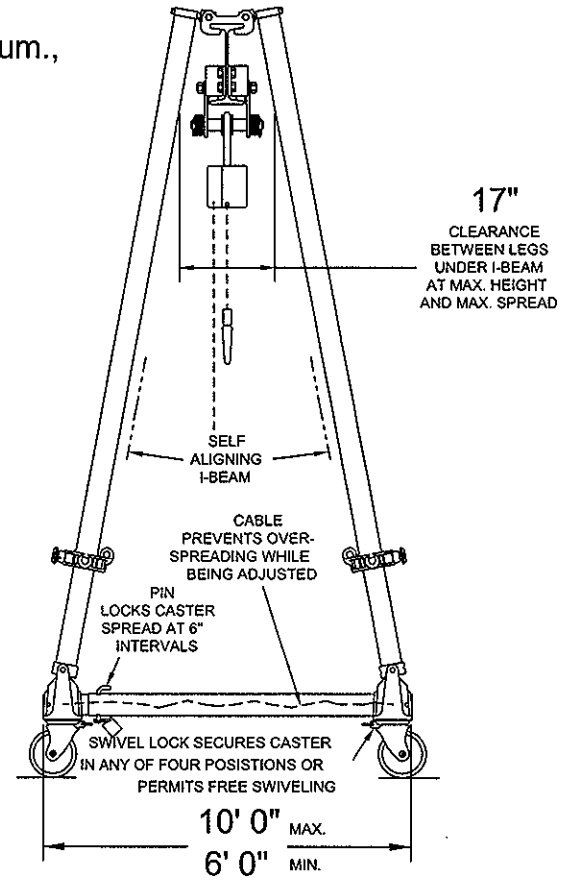


12" Alum.,
Reinf.



Steel Round Tube Frames and Aluminum I-Beam

All Dimensions are $\pm 1/2''$

© Copyright Wallace Cranes 2015. All rights reserved.



MODEL No. S6T12-A15AC

UNLESS OTHERWISE SPECIFIED DIMENSIONS ARE IN INCHES TOLERANCES ON				Wallace Cranes MALVERN, PENNSYLVANIA	
FRACTION		DECIMAL		TITLE	
1/16"		0.03125"		TRI-ADJUSTABLE GANTRY H.D.	
DRAWN BY	J. Finkel	DATE	9-15-15	SCALE	NTS
CHECKER		APPROVAL		WT.	
REVISIONS			APPROVAL	OWG	C
				DRAWING No.	REV.