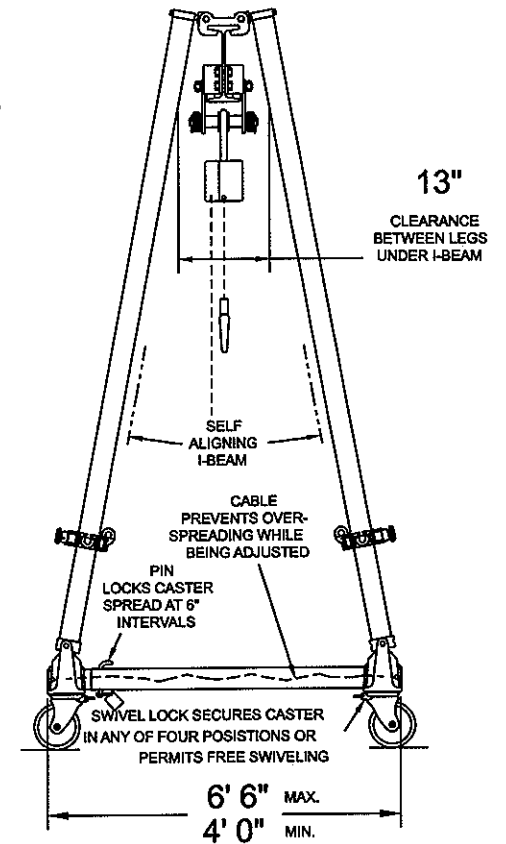


10"  
Alum.



Steel Frames and Aluminum I-Beam

All Dimensions are  $\pm 1/2"$

MODEL No. S6T10-A10AC

© Copyright Wallace Cranes 2010. All rights reserved.



UNLESS OTHERWISE SPECIFIED DIMENSIONS ARE IN INCHES TOLERANCES ON		Wallace Cranes MALVERN, PENNSYLVANIA	
FRACTION	DECIMAL	TITLE	
1/16"	0.03125"	TRI-ADJUSTABLE GANTRY R.D.	
DRAWN BY J. Finkel	DATE 11-1-10	SCALE	DWG. NO.
CHECKER	APPROVAL	NTS	C
SYMBOL	DESCRIPTION	DATE	REV.
REVISIONS			