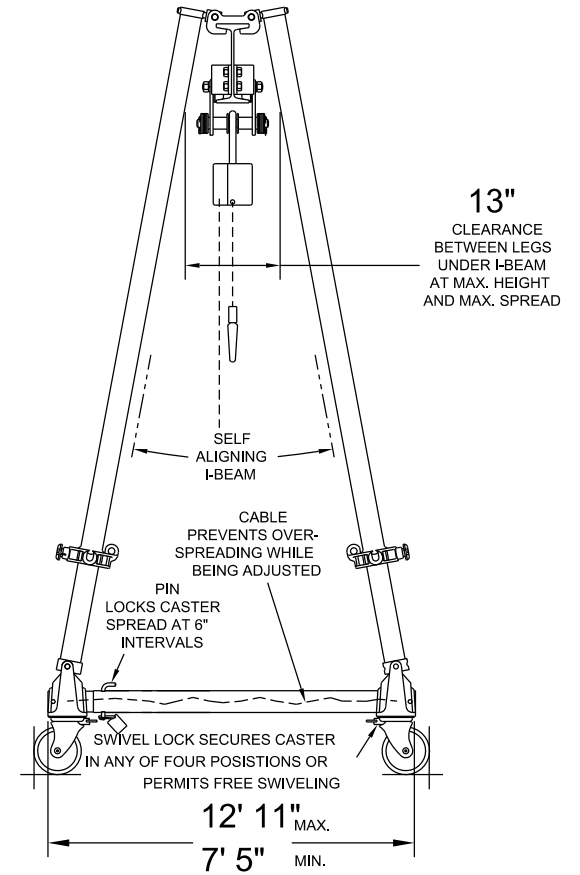


10"  
Stl.



Round Tube Steel Frames and Steel I-Beam

All Dimensions are  $\pm 1/2"$

MODEL No. S4T21-20SAC

© Copyright Wallace Cranes 2017. All rights reserved.



UNLESS OTHERWISE SPECIFIED DIMENSIONS ARE IN INCHES TOLERANCES ON FRACTION DECIMAL $\pm 1/2"$ $\pm 0.5'$				Wallace Cranes MALVERN, PENNSYLVANIA			
DRAWN BY J. Finkel				DATE 2-22-17			
CHECKER				TITLE TRI-ADJUSTABLE GANTRY R.D.			
APPROVAL				SCALE NTS		DWG C SIZE	
REVISIONS				DRAWING No.		REV.	