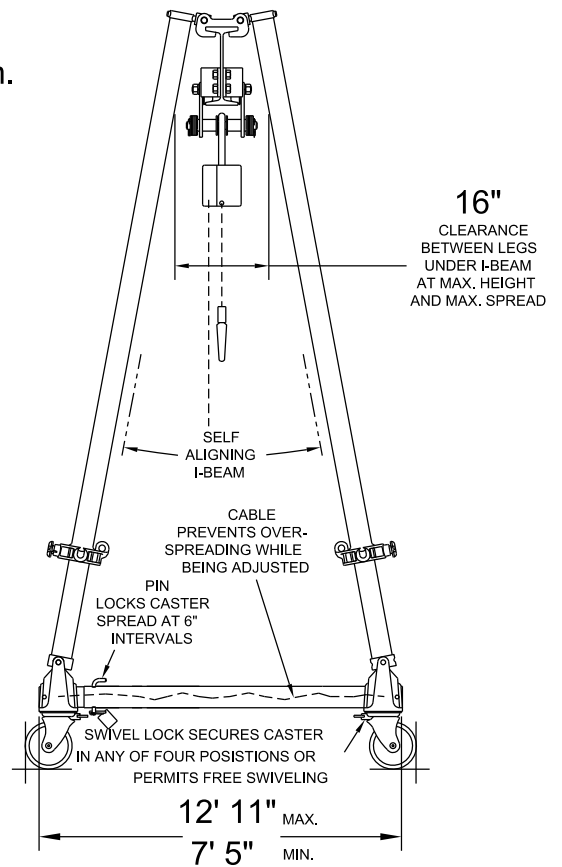


12"
Alum.



Round Tube Steel Frames and Aluminum I-Beam

All Dimensions are $\pm 1/2$ "

MODEL No. **S4T18-A15AC**

© Copyright Wallace Cranes 2017. All rights reserved.



UNLESS OTHERWISE SPECIFIED DIMENSIONS ARE IN INCHES TOLERANCES ON: FRACTION DECIMAL $\pm 1/2$ " ± 0.5 "				Wallace Cranes MALVERN, PENNSYLVANIA			
DRAWN BY J. Finkel		DATE 3-15-17		TITLE TRI-ADJUSTABLE GANTRY R.D.			
CHECKER		APPROVAL		SCALE NTS	WT.	DWG C SIZE	DRAWING No.
CONVERTED TO CAD DRAWING							
SYM. DESCRIPTION DATE INT.				REVISIONS			