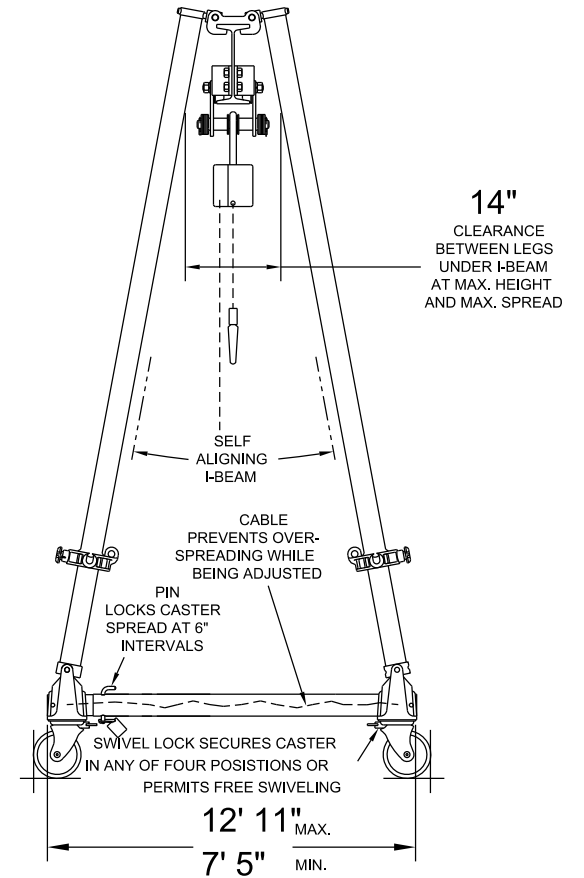


10"
Alu.



Round Tube Steel Frames and Aluminum I-Beam

All Dimensions are $\pm 1/2''$

MODEL No. **S4T18-A10AC**

© Copyright Wallace Cranes 2017. All rights reserved.



UNLESS OTHERWISE SPECIFIED DIMENSIONS ARE IN INCHES TOLERANCES ON		FRACTION		DECIMAL		TITLE	
		1/2"		±0.5"		TRI-ADJUSTABLE GANTRY R.D.	
DRAWN BY J. Finkel		DATE 2-21-17		SCALE		DWG. NO.	
CHECKER		APPROVAL		NTS		C SIZE	
CONVERTED TO CAD DRAWING		DATE		INT.		DRAWING NO.	
REVISIONS						REV.	