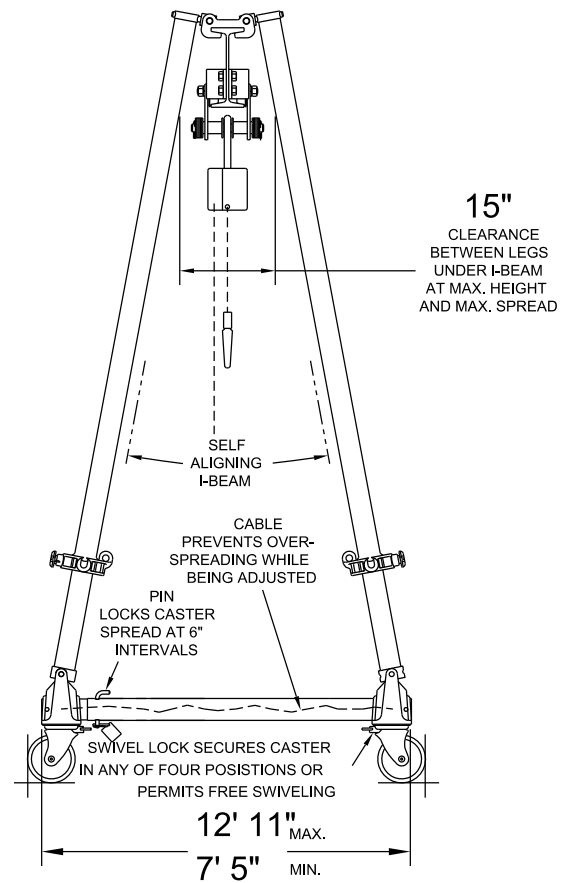


10"
Stl.



Round Tube Steel Frames and Steel I-Beam

All Dimensions are $\pm 1/2$ "

MODEL No. **S4T18-20SAC**

© Copyright Wallace Cranes 2017. All rights reserved.



UNLESS OTHERWISE SPECIFIED: DIMENSIONS ARE IN INCHES TOLERANCES ON		FRACTION $\pm 1/2$ "		DECIMAL ± 0.5 "		DRAWN BY J. Finkel		DATE 2-22-17		Wallace Cranes MALVERN, PENNSYLVANIA TITLE TRI-ADJUSTABLE GANTRY R.D.	
CONVERTED TO CAD DRAWING		DESCRIPTION		DATE		APPROVAL		SCALE NTS		DWG C SIZE	
SYMBOL		REVISIONS		DATE		INT.		DRAWING NO.		REV.	