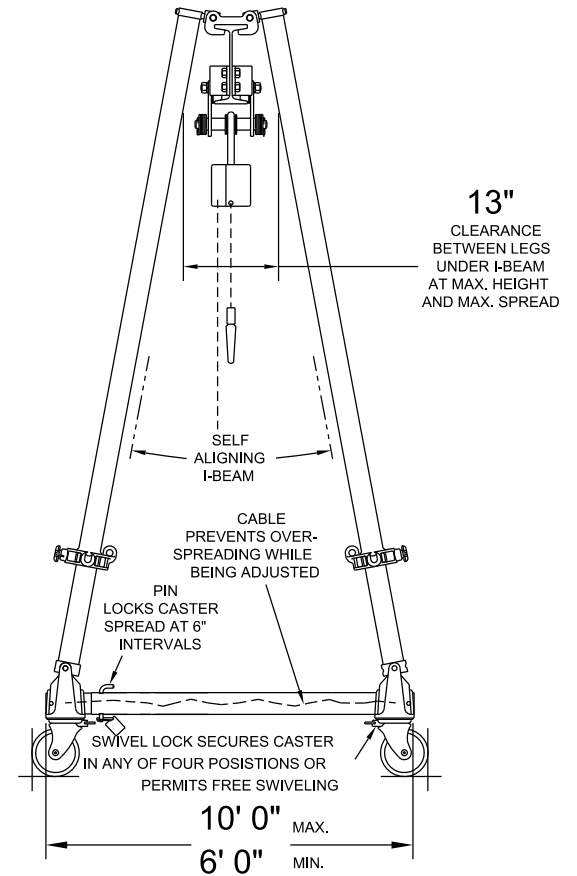


10"  
Alu.



Phenolic Composition Casters, 8" Dia.,  
4-Pos. Swivel Locks

Round Tube Steel Frames and Aluminum I-Beam

All Dimensions are  $\pm 1/2"$

MODEL No. S4T15-A10AC

© Copyright Wallace Cranes 2017. All rights reserved.



UNLESS OTHERWISE SPECIFIED DIMENSIONS ARE IN INCHES TOLERANCES ON				Wallace Cranes MALVERN, PENNSYLVANIA			
FRACTION $\pm 1/2"$		DECIMAL $\pm 0.5"$		TITLE TRI-ADJUSTABLE GANTRY R.D.			
DRAWN BY J. Finkel		DATE 2-21-17		SCALE NTS		DWG C	
CHECKER		APPROVAL		DRAWING No.		REV.	
CONVERTED TO CAD DRAWING							
SYMBOL				REVISIONS			