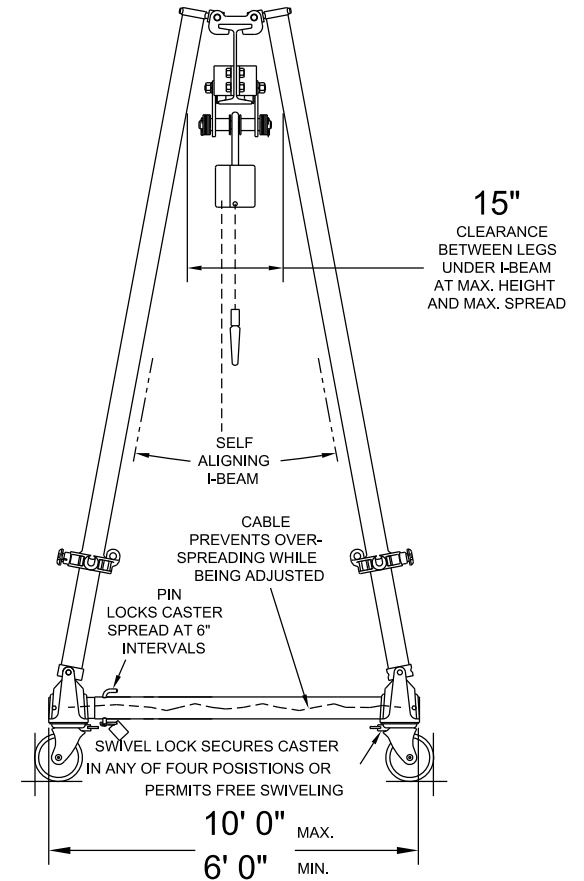


10"
Stl.



Round Tube Steel Frames and Steel I-Beam

All Dimensions are $\pm 1/2"$

MODEL No. S4T12-S15AC

© Copyright Wallace Cranes 2017. All rights reserved.



UNLESS OTHERWISE SPECIFIED DIMENSIONS ARE IN INCHES				TOLERANCES ON				<i>Wallace Cranes</i> MALVERN, PENNSYLVANIA				
FRACTION		DECIMAL		DRAWN BY		DATE		TITLE				
$\pm 1/2"$		$\pm 0.5"$		J. Finkel		2-22-17		TRI-ADJUSTABLE GANTRY R.D.				
CONVERTED TO CAD DRAWING				SCALE		WT.		DWG C SIZE		DRAWING No.		REV.
SYM. DESCRIPTION DATE INT.				NTS								
REVISIONS				APPROVAL								