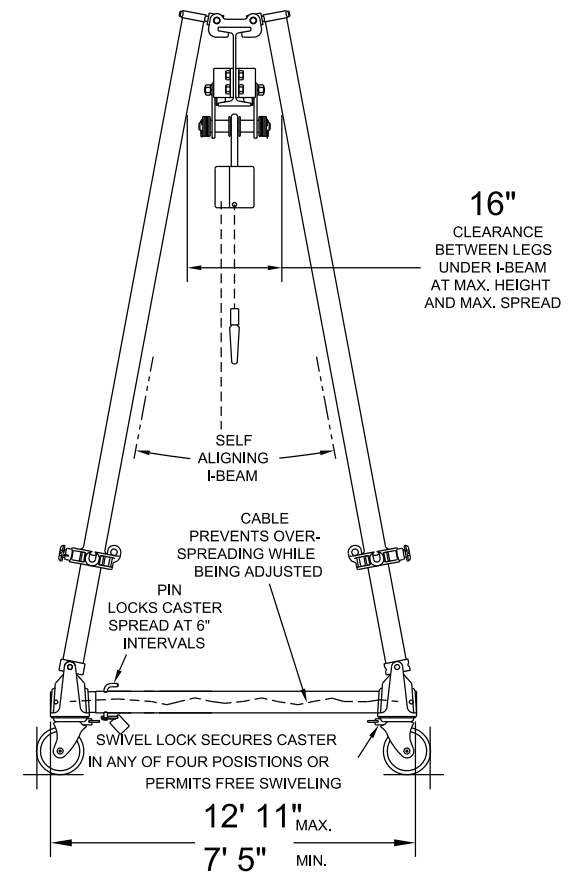


15"
Stl.



Round Tube Steel Frames and Steel I-Beam

All Dimensions are $\pm 1/2"$

MODEL No. S2T21-S30AC

© Copyright Wallace Cranes 2017. All rights reserved.



UNLESS OTHERWISE SPECIFIED DIMENSIONS ARE IN INCHES TOLERANCES ON FRACTION DECIMAL $\pm 1/2"$ $\pm 0.5"$				Wallace Cranes MALVERN, PENNSYLVANIA	
CONVERTED TO CAD DRAWING				TITLE TRI-ADJUSTABLE GANTRY R.D.	
DRAWN BY J. Finkel		DATE 2-22-17		SCALE NTS	
CHECKER		APPROVAL		DWG C SIZE	
SYM.		DESCRIPTION		DRAWING No.	
REVISIONS		DATE INT.		REV.	