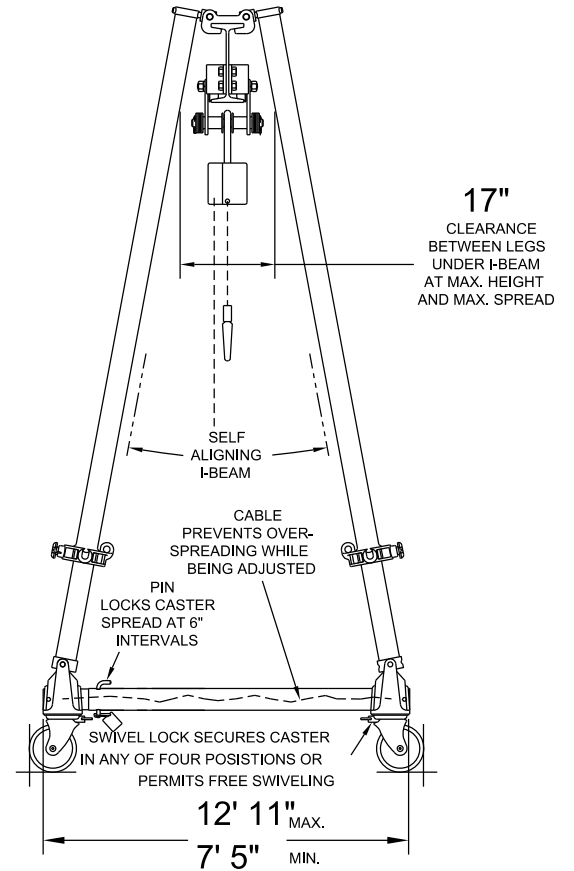


15"
Stl.



Round Tube Steel Frames and Steel I-Beam

All Dimensions are $\pm 1/2"$

MODEL No. S2T21-35SAC

© Copyright Wallace Cranes 2017. All rights reserved.



UNLESS OTHERWISE SPECIFIED DIMENSIONS ARE IN INCHES TOLERANCES ON				Wallace Cranes MALVERN, PENNSYLVANIA TITLE TRI-ADJUSTABLE GANTRY R.D.			
FRACTION	DECIMAL						
$\pm 1/2"$	40.5"			DRAWN BY J. Finkel	DATE 2-22-17	SCALE NTS	
CHECKER	APPROVAL	DATE	INT.	WT.	DWG C SIZE	DRAWING No.	REV.
REVISIONS							