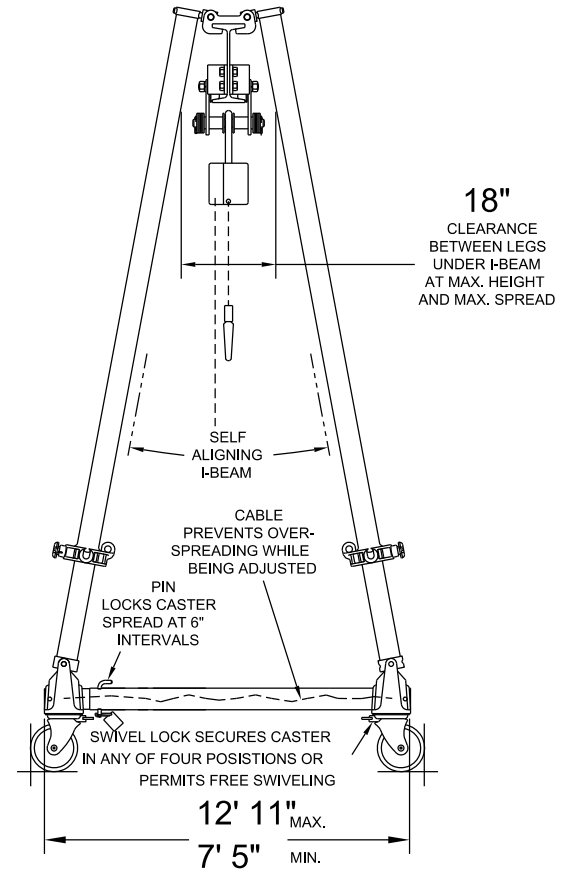


15"  
Stl.



Round Tube Steel Frames and Steel I-Beam

All Dimensions are  $\pm 1/2"$

Phenolic Composition Casters, 8" Dia.,  
4-Pos. Swivel Locks

MODEL No. S2T18-S30AC

© Copyright Wallace Cranes 2017. All rights reserved.



UNLESS OTHERWISE SPECIFIED DIMENSIONS ARE IN INCHES TOLERANCES ON				<b>Wallace Cranes</b> MALVERN, PENNSYLVANIA TITLE <b>TRI-ADJUSTABLE GANTRY R.D.</b>			
FRACTION	DECIMAL						
$\pm 1/2"$	$\pm 0.5"$			DRIVEN BY	DATE	SCALE	
				J. Finkel	2-22-17	NTS	
CHECKER	APPROVAL			WT.	DWG	DRAWING No.	REV.
	REVISIONS				C		
					SIZE		