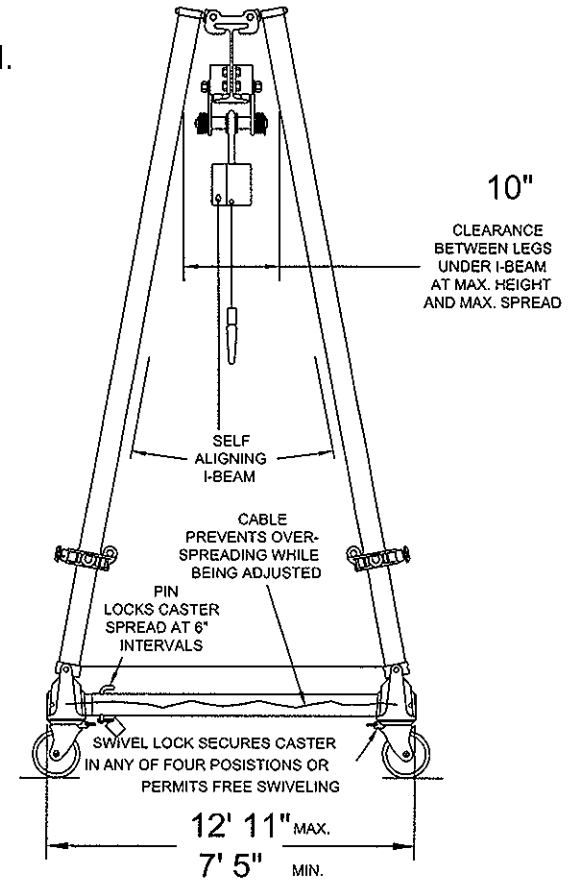


6" Stl.



Steel Round Tube Frames and I-Beam

NOTE:

All dimensions shown are $\pm 1/2"$

MODEL No. S2T18-S10AC

© Copyright Wallace Cranes 2016. All rights reserved.



UNLESS OTHERWISE SPECIFIED DIMENSIONS ARE IN INCHES TOLERANCES ON:		Wallace Cranes MALVERN, PENNSYLVANIA	
FRACTION	DECIMAL	TITLE	
1/16"	0.0315"	TRI-ADJUSTABLE GANTRY R.D.	
DRAWN BY J. Finkel	DATE 9-20-16	SCALE	DWG. NO.
CHECKER	APPROVAL	NTS	C
CONVERTED TO CAD DRAWING		WT	SZE
SYMBOL	DESCRIPTION	DATE	REV.
REVISIONS			