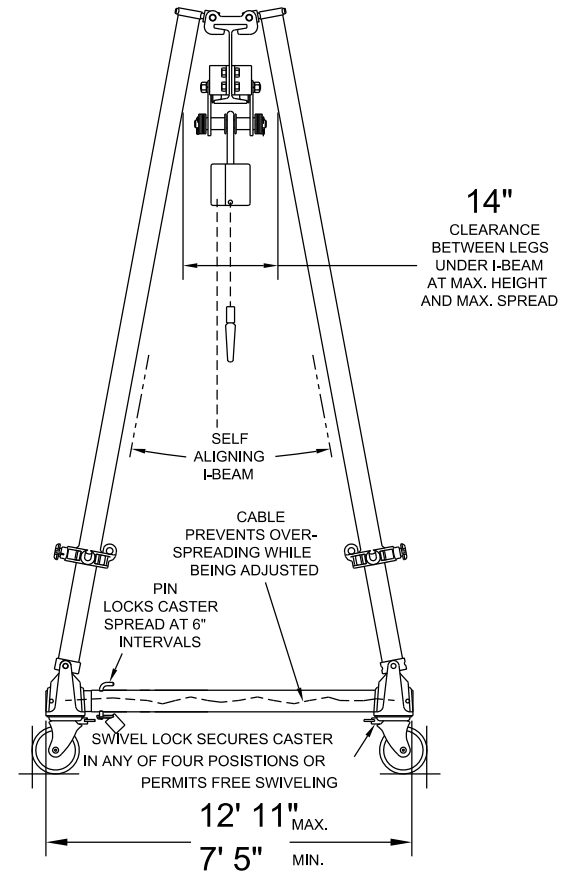


10"
Alu.



Phenolic Composition Casters, 8" Dia.,
4-Pos. Swivel Locks

Round Tube Steel Frames and Aluminum I-Beam

All Dimensions are $\pm 1/2"$

MODEL No. S2T18-A15AC

© Copyright Wallace Cranes 2017. All rights reserved.



UNLESS OTHERWISE SPECIFIED		DIMENSIONS ARE IN INCHES		TOLERANCES ON		Wallace Cranes MALVERN, PENNSYLVANIA	
DRAWN BY J. Finkel		DATE 2-21-17		CHECKER		TITLE TRI-ADJUSTABLE GANTRY R.D.	
SYMBOL		DESCRIPTION		DATE		SCALE NTS	
REVISIONS		APPROVAL		DWG. NO.		DWG. SIZE C	
				DRAWING No.		REV.	