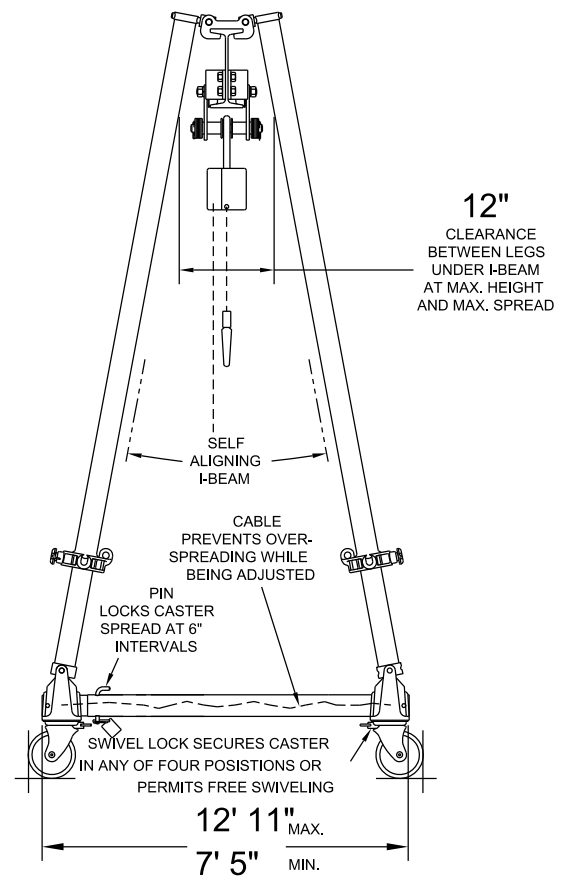


8"
Alu.



Round Tube Steel Frames and Aluminum I-Beam

All Dimensions are $\pm 1/2"$

MODEL No. S2T18-A10AC

© Copyright Wallace Cranes 2017. All rights reserved.



UNLESS OTHERWISE SPECIFIED DIMENSIONS ARE IN INCHES TOLERANCES ON				Wallace Cranes MALVERN, PENNSYLVANIA	
FRACTION $\pm 1/2"$		DECIMAL $\pm 0.5"$		TITLE TRI-ADJUSTABLE GANTRY R.D.	
DRAWN BY J. Finkel		DATE 2-21-17		SCALE NTS	
CHECKER		APPROVAL		WT. C	
SYMBOL		DESCRIPTION		DRAWING No.	
REVISIONS		DATE		REV.	