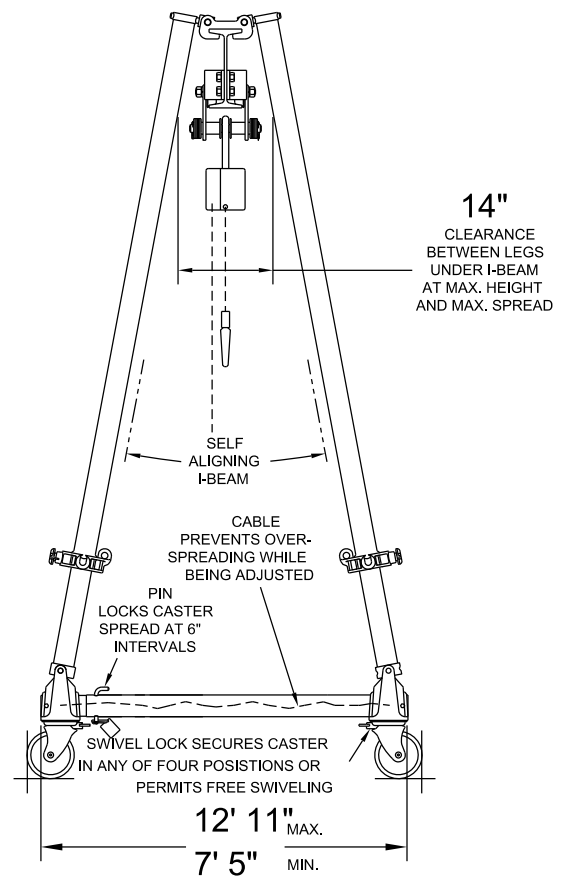


10"  
Stl.



Phenolic Composition Casters, 8" Dia.,  
4-Pos. Swivel Locks

Round Tube Steel Frames and Steel I-Beam

All Dimensions are  $\pm 1/2"$

MODEL No. **S2T18-25SAC**

© Copyright Wallace Cranes 2017. All rights reserved.



UNLESS OTHERWISE SPECIFIED DIMENSIONS ARE IN INCHES TOLERANCES ON				<b>Wallace Cranes</b> MALVERN, PENNSYLVANIA TITLE <b>TRI-ADJUSTABLE GANTRY R.D.</b>			
DRAWN BY J. Finkel		DATE 2-22-17		SCALE NTS		DWG C SIZE	
CONVERTED TO CAD DRAWING		APPROVAL		DRAWING No.		REV.	
SYM.	DESCRIPTION	DATE	INT.	APPROVAL			
REVISIONS							