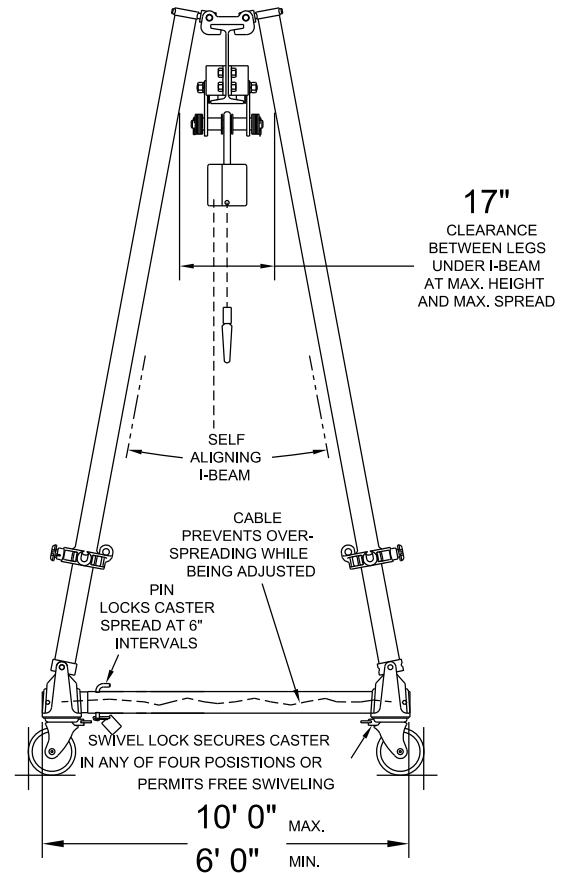


15"
Stl.



Round Tube Steel Frames and Steel I-Beam

All Dimensions are $\pm 1/2$ "

MODEL No. S2T15-S30AC

© Copyright Wallace Cranes 2017. All rights reserved.



UNLESS OTHERWISE SPECIFIED DIMENSIONS ARE IN INCHES TOLERANCES ON		FRACTION		DECIMAL		TOLERANCES ON		TITLE	
		±1/2"		±0.5"				Wallace Cranes MALVERN, PENNSYLVANIA	
DRAWN BY J. Finkel		DATE 2-22-17		CHECKER		APPROVAL		TRI-ADJUSTABLE GANTRY R.D.	
CONVERTED TO CAD DRAWING		DATE		INT.		REVISIONS		SCALE NTS	
								WT. C SIZE	
								DRAWING No. REV.	