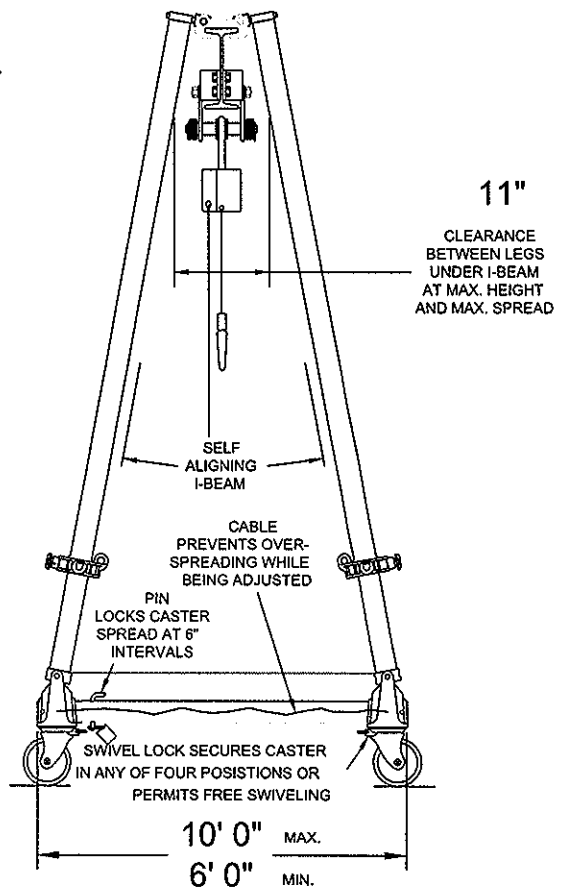


8" Stl.



Steel Round Tube Frames and I-Beam

NOTE:  
All dimensions shown are  $\pm 1/2"$

MODEL No S2T15-S15AC

© Copyright Wallace Cranes 2016. All rights reserved.



UNLESS OTHERWISE SPECIFIED DIMENSIONS ARE IN INCHES TOLERANCES ON		Wallace Cranes MALVERN, PENNSYLVANIA	
PRACTICE	DECIMAL	TITLE	
#/16	#/32	TRI-ADJUSTABLE GANTRY R.D.	
DRAWN BY J. Finkel	DATE 10-13-16	SCALE	REV
APPROVAL		NTS	C
REVISIONS			325