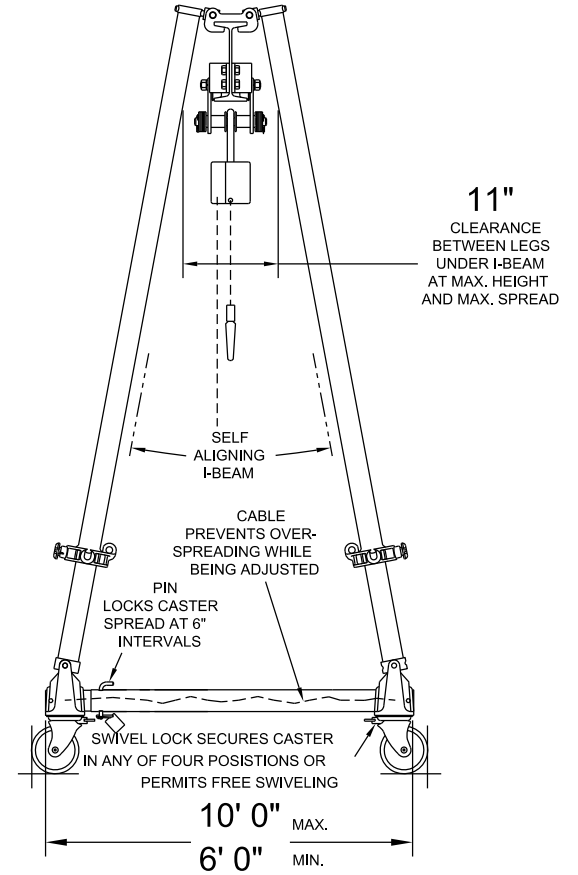


8"
Alu.



Round Tube Steel Frames and Aluminum I-Beam

All Dimensions are $\pm 1/2"$

MODEL No. S2T15-A10AC

© Copyright Wallace Cranes 2017. All rights reserved.



UNLESS OTHERWISE SPECIFIED				Wallace Cranes			
DIMENSIONS ARE IN INCHES				MALVERN, PENNSYLVANIA			
TOLERANCES ON:				TITLE			
FRACTION		DECIMAL		TRI-ADJUSTABLE GANTRY R.D.			
$\pm 1/2"$.005"		SCALE			
DRAWN BY		DATE		WT.			
J. Finkel		2-21-17		DWG			
CHECKER		APPROVAL		C			
SYMBOL		DESCRIPTION		DRAWING NO.			
REVISIONS		DATE		REV.			
				NTS			