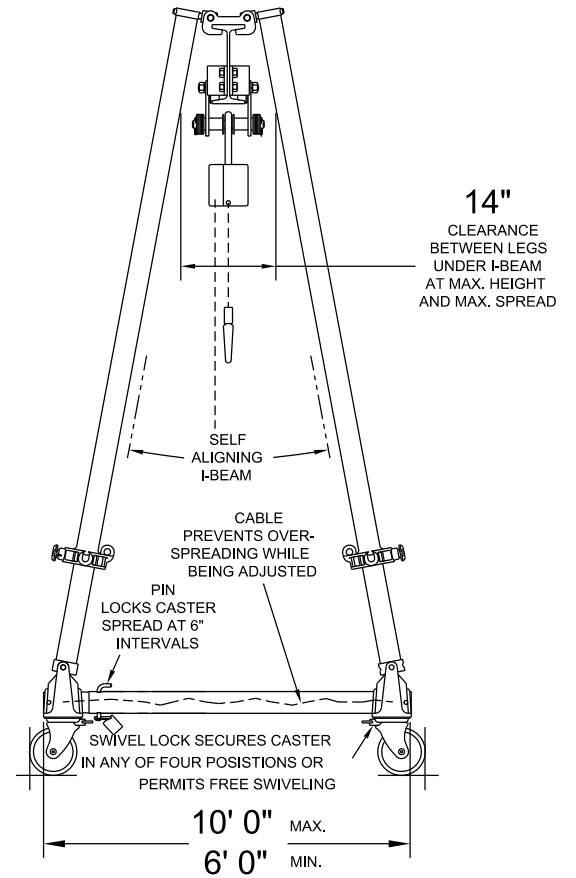


10"
Stl.



Round Tube Steel Frames and Steel I-Beam

All Dimensions are $\pm 1/2"$

MODEL No. **S2T15-25SAC**

© Copyright Wallace Cranes 2017. All rights reserved.



UNLESS OTHERWISE SPECIFIED				Wallace Cranes MALVERN, PENNSYLVANIA			
DIMENSIONS ARE IN INCHES							
TOLERANCES ON				TITLE			
FRACTION		DECIMAL		TRI-ADJUSTABLE GANTRY R.D.			
$\pm 1/2"$		±0.5"		SCALE			
DRAWN BY		DATE		WT.		DWG	
J. Finkel		5-15-17		NTS		C	
CHECKER		APPROVAL		DRAWING No.		REV.	
SYM.		DESCRIPTION		DATE		INT.	
REVISIONS							