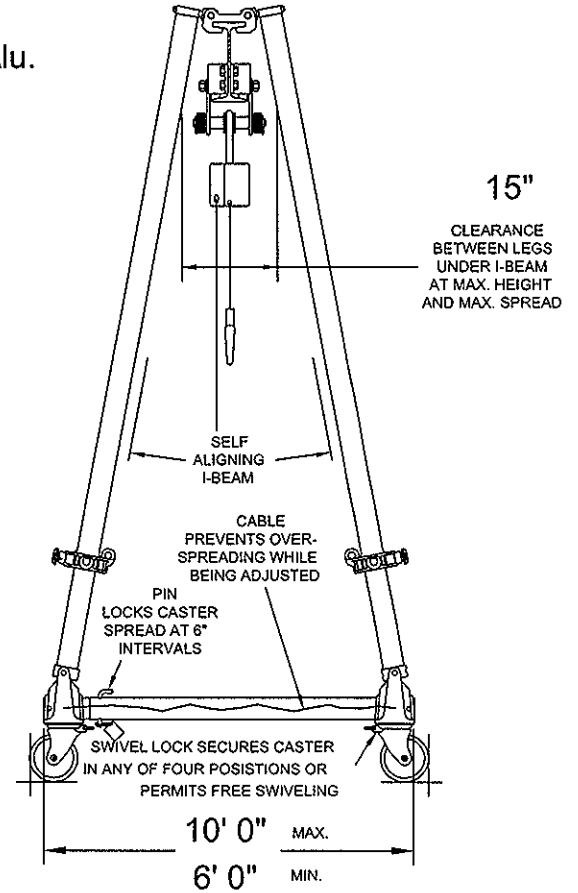


10" Alu.



Steel Frames with Aluminum I-Beam

NOTE:

All dimensions shown are  $\pm 1/2"$

MODEL No. S2T12-A15AC

© Copyright Wallace Cranes 2016. All rights reserved.



UNLESS OTHERWISE SPECIFIED DIMENSIONS ARE IN INCHES TOLERANCES ON		FRACTION 1/2"		DECIMAL 0.03125		TITLE TRI-ADJUSTABLE GANTRY R.D.	
DRAWN BY J. Finkel		DATE 4-8-16		CHECKER		SCALE NTS	
CONVERTED TO CAD DRAWING		DATE		INT		DWG C	
SYMBOL		DESCRIPTION		DATE		DRAWING No.	
REVISIONS		APPROVAL		DATE		REV	