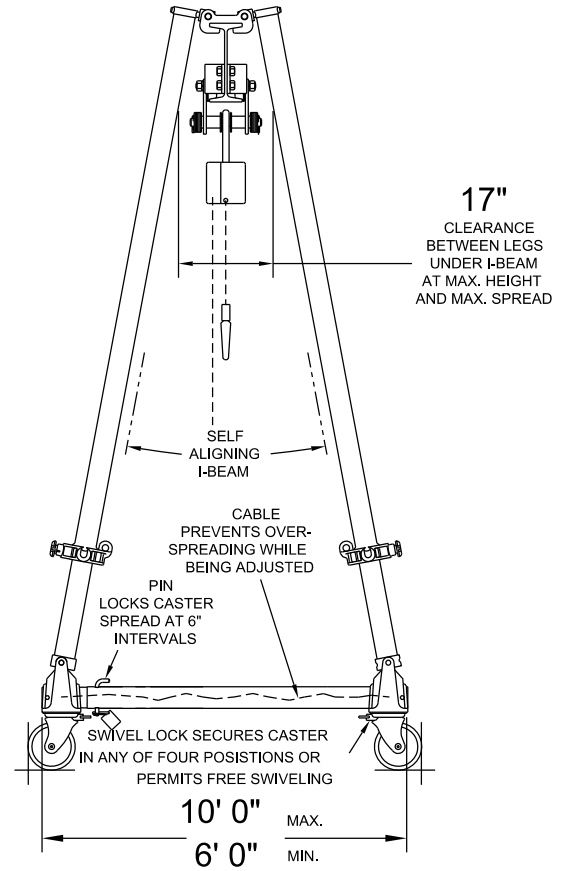


12"  
Alu.



Round Tube Aluminum Frames and Aluminum I-Beam

All Dimensions are  $\pm 1/2$ "

MODEL No. **A4T12-A15**

© Copyright Wallace Cranes 2017. All rights reserved.



UNLESS OTHERWISE SPECIFIED DIMENSIONS ARE IN INCHES TOLERANCES ON				<b>Wallace Cranes</b> MALVERN, PENNSYLVANIA		TITLE <b>TRI-ADJUSTABLE GANTRY R.D.</b>	
FRACTION	DECIMAL	DRAWN BY	DATE				
$\pm 1/2$ "	$\pm 0.5$ "	J. Finkel	2-21-17	SCALE		WT.	DWG C SIZE
CONVERTED TO CAD DRAWING				APPROVAL		DRAWING No.	
SYM.	DESCRIPTION	DATE	INT.	REVISIONS		REV.	