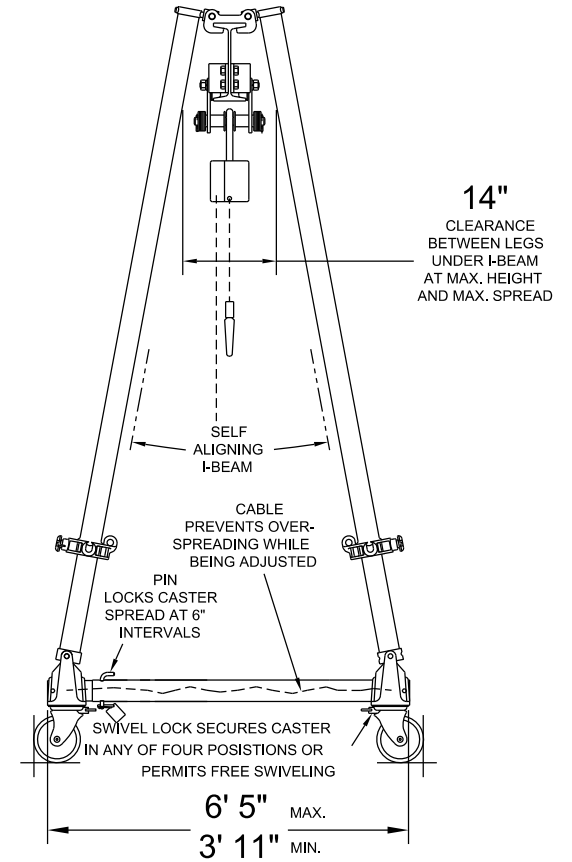


12"
Alu.



Round Tube Aluminum Frames and Aluminum I-Beam

NOTE:

All Dimensions are $\pm 1/2$ "

MODEL No. **A4T10-A12**

© Copyright Wallace Cranes 2017. All rights reserved.



UNLESS OTHERWISE SPECIFIED DIMENSIONS ARE IN INCHES TOLERANCES ON		Wallace Cranes MALVERN, PENNSYLVANIA TRI-ADJUSTABLE GANTRY R.D.			
FRACTION	DECIMAL				
$\pm 1/2$	± 0.05	NTS	C	SIZE	
DRAWN BY	DATE	CHECKER	APPROVAL	DRAWING NO.	
J. Finkel	11-8-17				
CONVERTED TO CAD DRAWING		REVISIONS			
SYM.	DESCRIPTION	DATE	INT.	REV.	