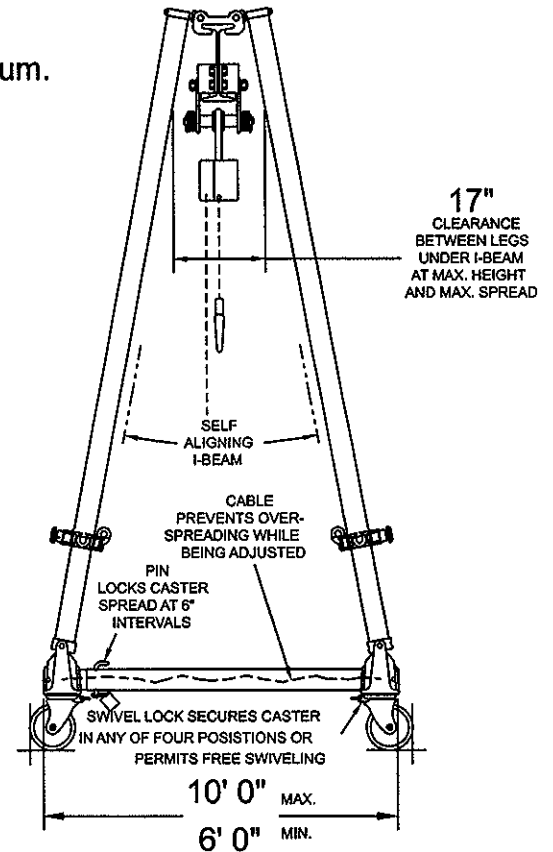


12" Alum.



Aluminum Round Tube Frames and I-Beam

All Dimensions are $\pm 1/2"$

MODEL No. A3T12-A15

© Copyright Wallace Cranes 2014. All rights reserved.



UNLESS OTHERWISE SPECIFIED DIMENSIONS ARE IN INCHES TOLERANCES ON		FRACTION		DECIMAL		WALLACE Cranes MALVERN, PENNSYLVANIA	
DRAWN BY		DATE		TITLE		TRI-ADJUSTABLE GANTRY R.D.	
J. Finkel		6-2-14		SCALE		W.T. DWG NTS C SIZE	
CHECKER		APPROVAL		DRAWING NO.		REV.	
SYMBOL		DESCRIPTION		DATE		REV.	
REVISIONS							