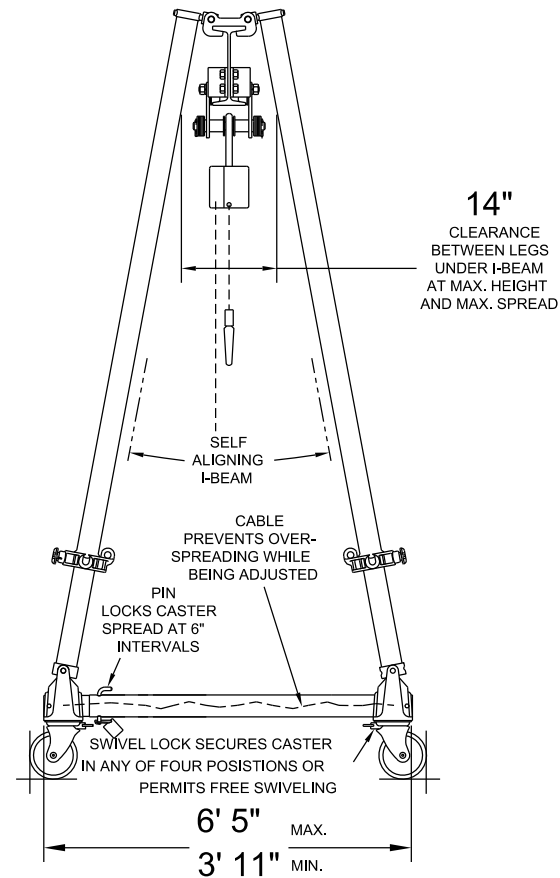


12"
Alu.



Round Tube Aluminum Frames and Aluminum I-Beam

All Dimensions are $\pm 1/2"$

MODEL No. **A3T10-A15**

© Copyright Wallace Cranes 2017. All rights reserved.



UNLESS OTHERWISE SPECIFIED DIMENSIONS ARE IN INCHES TOLERANCES ON				Wallace Cranes MALVERN, PENNSYLVANIA TITLE TRI-ADJUSTABLE GANTRY H.D.			
FRACTION		DECIMAL					
$\pm 1/2"$		$\pm 0.5"$		NTS		C	
DRAWN BY J. Finkel		DATE 2-21-17		APPROVAL		REV.	
CONVERTED TO CAD DRAWING							
SYM.	DESCRIPTION	DATE	INT.	REVISIONS			