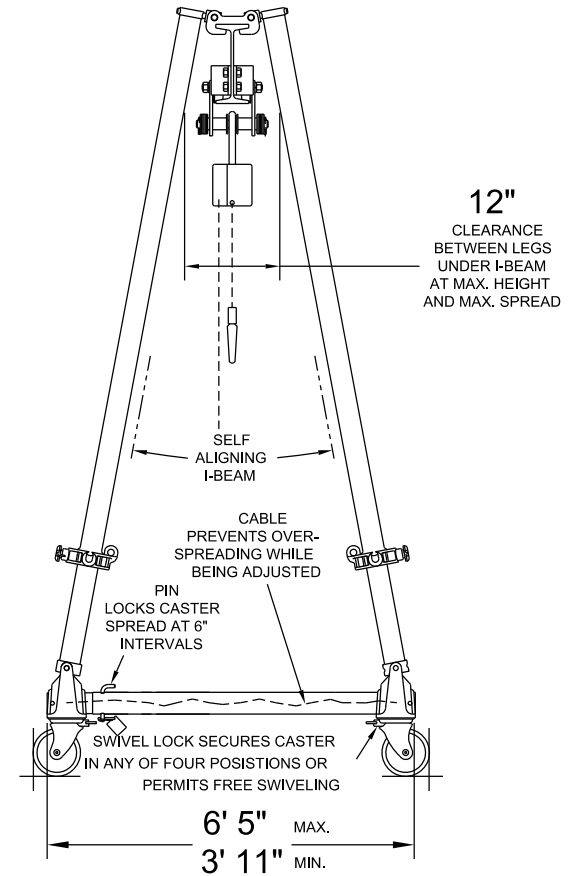


6"
Alu.



Round Tube Aluminum Frames and Aluminum I-Beam

All Dimensions are $\pm 1/2"$

MODEL No. **A2T6-A10AC**

© Copyright Wallace Cranes 2017. All rights reserved.



CONVERTED TO CAD DRAWING			
SYMBOL	DESCRIPTION	DATE	INT.
REVISIONS			

UNLESS OTHERWISE SPECIFIED	
DIMENSIONS ARE IN INCHES	
TOLERANCES ON	
FRACTION	DECIMAL
$\pm 1/2"$	$\pm 0.5"$
DRAWN BY J. Fritzel	DATE 2-15-17
CHECKER	APPROVAL

Wallace Cranes MALVERN, PENNSYLVANIA				
TITLE TRI-ADJUSTABLE GANTRY R.D.				
SCALE NTS	WT.	DWG C SIZE	DRAWING No.	REV.