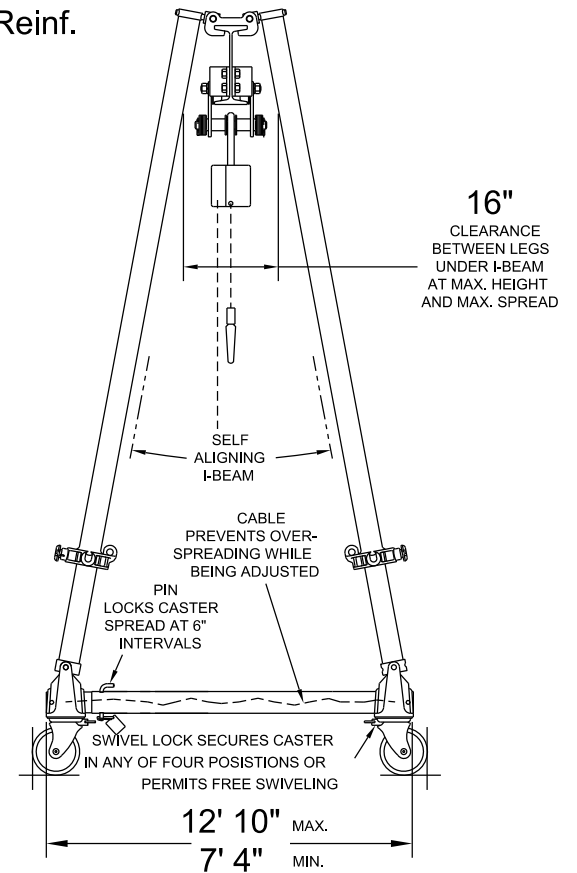


12" Reinf.
Alu.



Round Tube Aluminum Frames and Aluminum I-Beam

All Dimensions are $\pm 1/2"$

MODEL No. **A2T18-A20**

© Copyright Wallace Cranes 2017. All rights reserved.



UNLESS OTHERWISE SPECIFIED DIMENSIONS ARE IN INCHES TOLERANCES ON				Wallace Cranes MALVERN, PENNSYLVANIA TITLE TRI-ADJUSTABLE GANTRY R.D.					
FRACTION	DECIMAL	DRAWN BY	DATE					SCALE	WT.
$\pm 1/2"$	$\pm 0.5"$	J. Finkel	2-21-17	NTS					
CONVERTED TO CAD DRAWING				APPROVAL				REVISIONS	