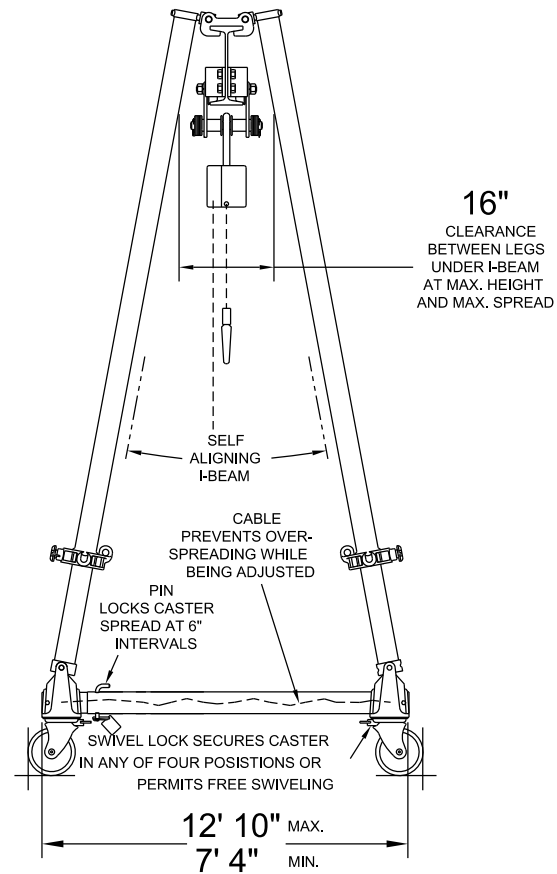


12"  
Alu.



Round Tube Aluminum Frames and Aluminum I-Beam

All Dimensions are  $\pm 1/2$ "

MODEL No. **A2T18-A15**

© Copyright Wallace Cranes 2017. All rights reserved.



UNLESS OTHERWISE SPECIFIED DIMENSIONS ARE IN INCHES TOLERANCES ON				<b>Wallace Cranes</b> MALVERN, PENNSYLVANIA TITLE <b>TRI-ADJUSTABLE GANTRY R.D.</b>			
FRACTION		DECIMAL					
DRAWN BY J. Finkel		DATE 2-21-17		NTS		C	
CHECKER		APPROVAL		SIZE			REV.
SYM.	DESCRIPTION	DATE	INT.				
REVISIONS							