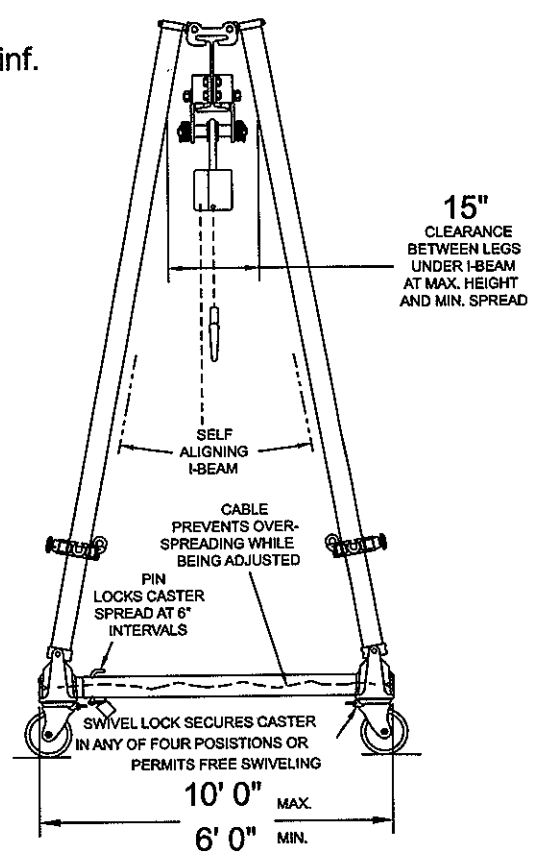


12" Reinf.
Alum.



Aluminum Round Tube Frames and I-Beam

All Dimensions are $\pm 1/2$ "

© Copyright Wallace Cranes 2013. All rights reserved.



MODEL No. **A2T15-A20**

UNLESS OTHERWISE SPECIFIED DIMENSIONS ARE IN INCHES TOLERANCES ON		<i>Wallace Cranes</i> MALVERN, PENNSYLVANIA	
FRACTION	DECIMAL	TITLE	
1/16	0.031	TRI-ADJUSTABLE GANTRY R.D.	
DRAWN BY J. Finkol	DATE 10-8-13	SCALE NTS	WT. C
CHECKER	APPROVAL	DWG 82E	DRAWING NO.
SYMBOL	DESCRIPTION	DATE	REV.
REVISIONS			