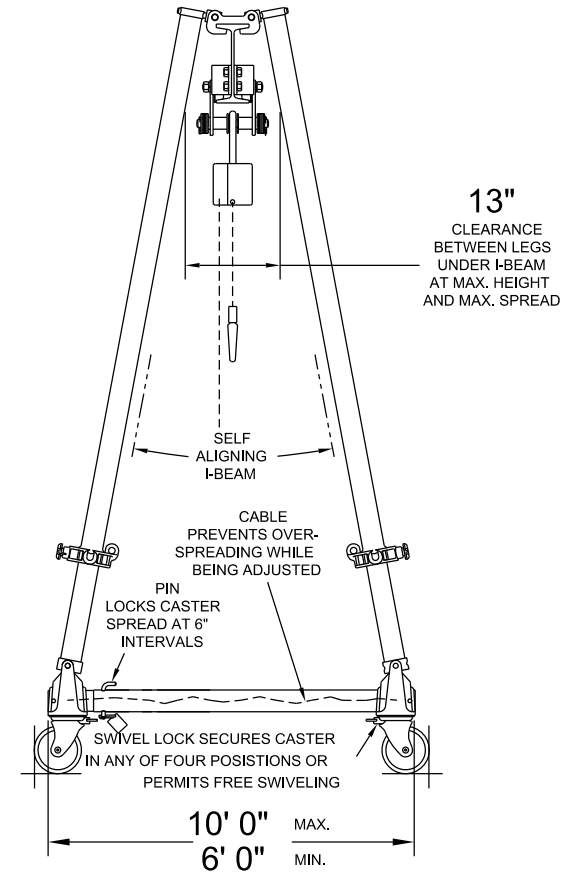


10"
Alu.



Round Tube Aluminum Frames and Aluminum I-Beam

All Dimensions are $\pm 1/2$ "

MODEL No. **A2T15-A15**

© Copyright Wallace Cranes 2017. All rights reserved.



UNLESS OTHERWISE SPECIFIED DIMENSIONS ARE IN INCHES TOLERANCES ON		FRACTION		DECIMAL		TITLE	
		$\pm 1/2$ "		±0.5"		TRI-ADJUSTABLE GANTRY R.D.	
DRAWN BY J. Finkel		DATE 2-21-17		SCALE		DRAWING No.	
CHECKER		APPROVAL		NTS		REV.	
CONVERTED TO CAD DRAWING		DATE		INT.		REV.	
REVISIONS							

Wallace Cranes
MALVERN, PENNSYLVANIA

SCALE
NTS

WT.
C
SIZE

DWG
DRAWING No.

REV.