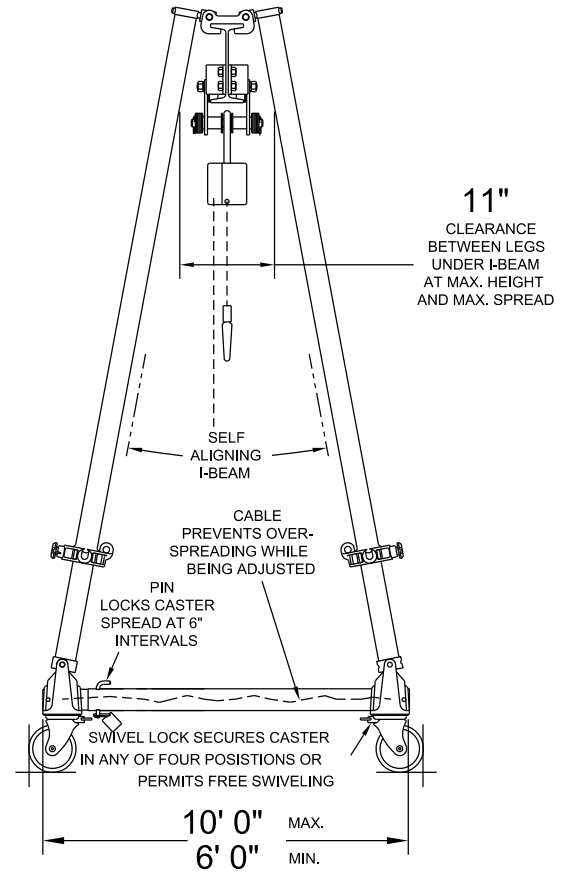


8"
Alu.



Round Tube Aluminum Frames and Aluminum I-Beam

All Dimensions are $\pm 1/2"$

MODEL No. **A2T15-A12**

© Copyright Wallace Cranes 2017. All rights reserved.



UNLESS OTHERWISE SPECIFIED DIMENSIONS ARE IN INCHES TOLERANCES ON				Wallace Cranes MALVERN, PENNSYLVANIA TITLE TRI-ADJUSTABLE GANTRY R.D.							
FRACTION	DECIMAL										
$\pm 1/2"$	$\pm 0.5"$			DRAWN BY J. Finkel	DATE 2-21-17	SCALE NTS	WT.	DWG C SIZE	DRAWING No.	REV.	
CHECKER	APPROVAL	DESCRIPTION	DATE	INT.							
REVISIONS											