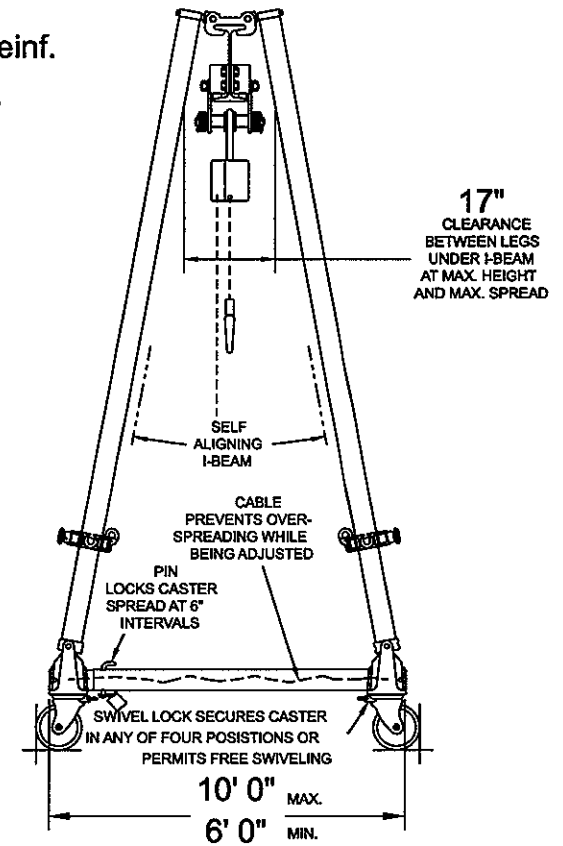


12" Reinf.
Alum.



NOTE: All Dimensions are $\pm 1/2"$

Aluminum Frames and I-Beam

MODEL No. A2T12-A20

© Copyright Wallace Cranes 2013. All rights reserved.



UNLESS OTHERWISE SPECIFIED DIMENSIONS ARE IN INCHES TOLERANCES ON		Wallace Cranes MALVERN, PENNSYLVANIA	
FRACTION	DECIMAL	TITLE	
1/16"	0.031"	TRI-ADJUSTABLE GANTRY R.D.	
DRAWN BY J. Finkel	DATE 1-4-13	SCALE	DWG. NO.
CHECKER	APPROVAL	NTS	C
SYMBOL	DESCRIPTION	DATE	REV.
REVISIONS			