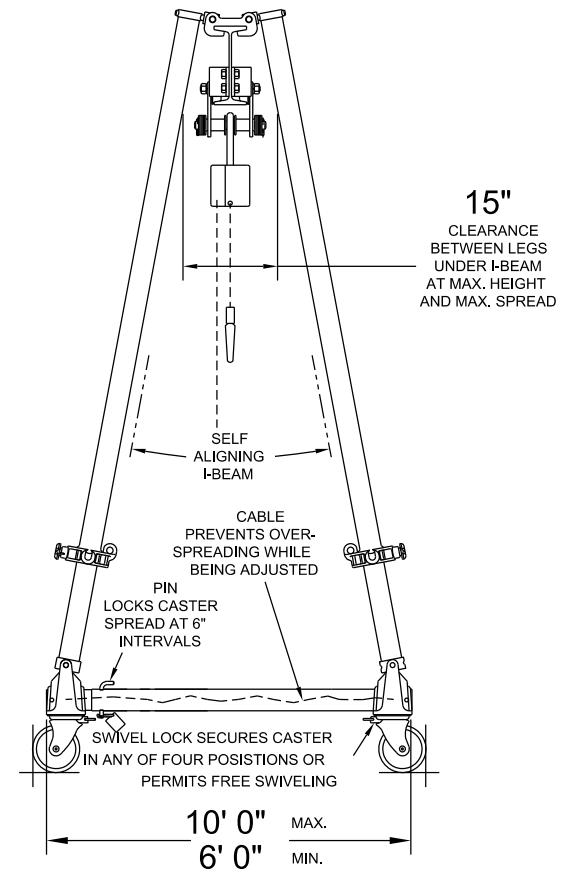


10"
Alu.



Round Tube Aluminum Frames and Aluminum I-Beam

All Dimensions are $\pm 1/2$ "

MODEL No. **A2T12-A15**

© Copyright Wallace Cranes 2017. All rights reserved.



UNLESS OTHERWISE SPECIFIED DIMENSIONS ARE IN INCHES TOLERANCES ON:				Wallace Cranes MALVERN, PENNSYLVANIA TITLE TRI-ADJUSTABLE GANTRY R.D.			
FRACTION		DECIMAL					
$\pm 1/2$ "		±0.5"		DRAWN BY J. Frikel		DATE 2-21-17	
SYMBOL		DESCRIPTION		CHECKER		APPROVAL	
REVISIONS		DATE		INT.		SCALE	
						NTS	
						WT.	
						DWG C SIZE	
						DRAWING NO.	
						REV.	