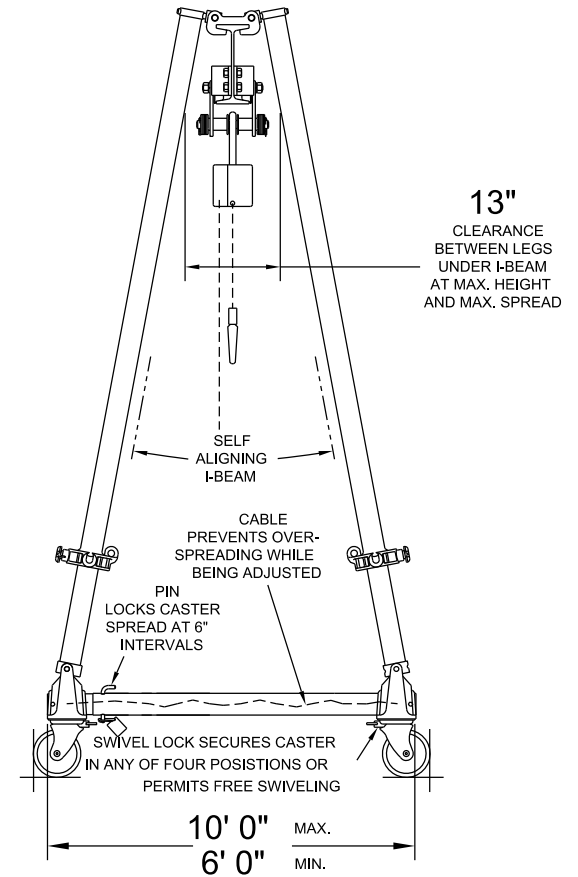


8"
Alu.



Round Tube Aluminum Frames and Aluminum I-Beam

All Dimensions are $\pm 1/2$ "

MODEL No. **A2T12-A12**

© Copyright Wallace Cranes 2017. All rights reserved.



UNLESS OTHERWISE SPECIFIED DIMENSIONS ARE IN INCHES TOLERANCES ON				Wallace Cranes MALVERN, PENNSYLVANIA TRI-ADJUSTABLE GANTRY R.D.			
FRACTION	DECIMAL	DATE					
$\pm 1/2$ "	0.015"	2-21-17		NTS		C	
DRAWN BY J. Finkel				CHECKER			
APPROVAL				REV.			
REVISIONS							