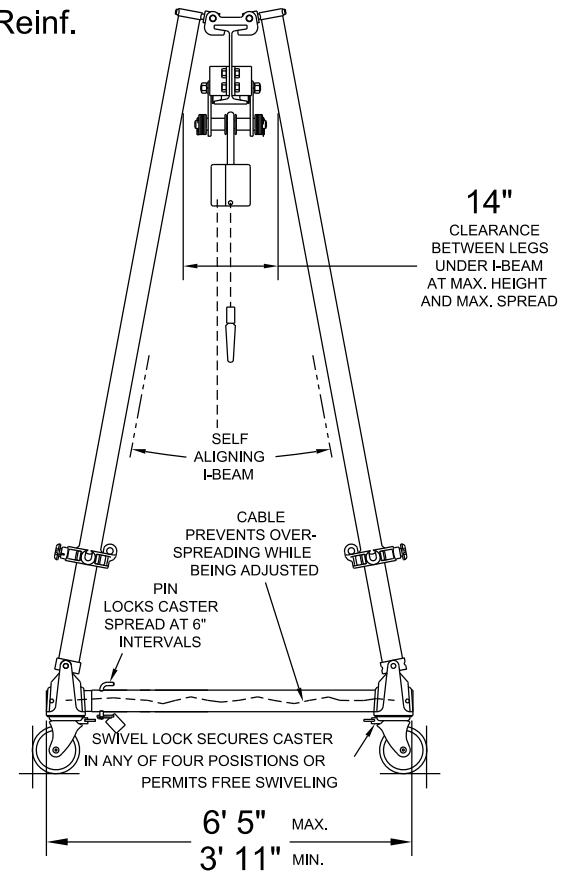


12" Reinf.
Alu.



Round Tube Aluminum Frames and Aluminum I-Beam

All Dimensions are $\pm 1/2"$

MODEL No. **A2T10-A20**

© Copyright Wallace Cranes 2017. All rights reserved.



UNLESS OTHERWISE SPECIFIED DIMENSIONS ARE IN INCHES				Wallace Cranes MALVERN, PENNSYLVANIA TITLE TRI-ADJUSTABLE GANTRY R.D.			
TOLERANCES ON		DECIMAL					
1/16"		.015"		1/32"		2-21-17	
DRAWN BY J. Finkel				CHECKER			
DATE				APPROVAL			
CONVERTED TO CAD DRAWING				SCALE NTS			
SYMBOL				DWG C			
DESCRIPTION				DRAWING No.			
REVISIONS				REV.			