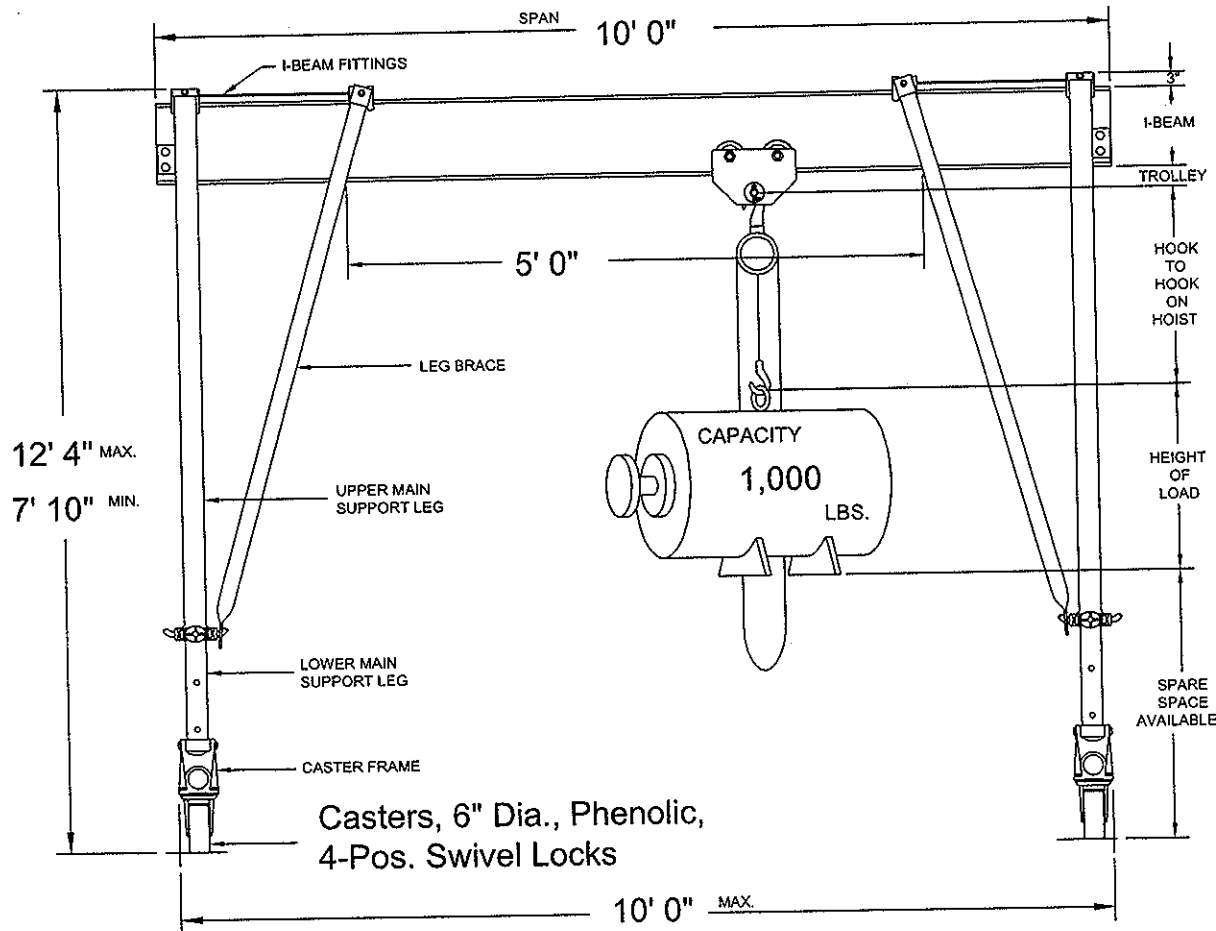
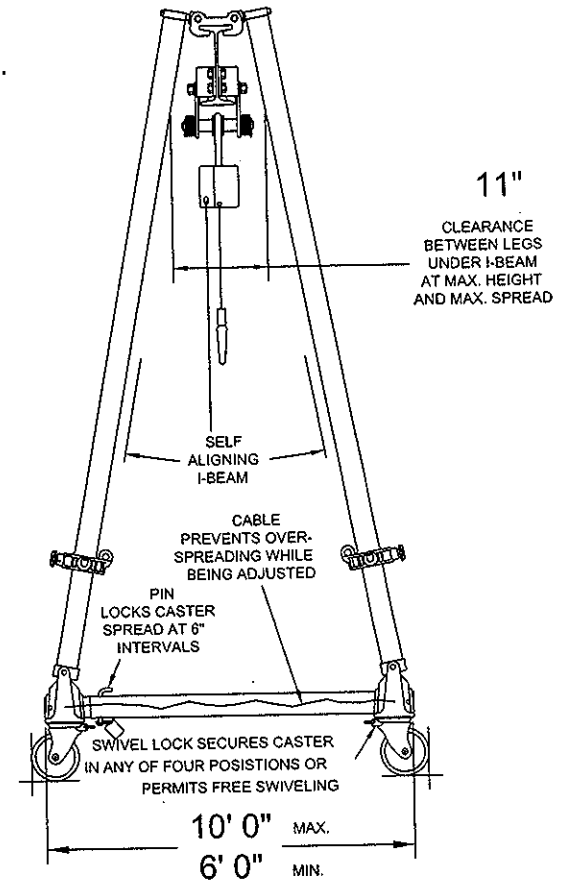


**NOTE:**  
Hoist and trolley shown for illustration purposes.  
Each item is sold separately.



6" Alu.



Aluminum Round Tube Frames and Aluminum I-Beam

**NOTE:**  
All dimensions shown are  $\pm 1/2"$

MODEL No. **A0T12-A10AC**

© Copyright Wallace Cranes 2016. All rights reserved.



UNLESS OTHERWISE SPECIFIED DIMENSIONS ARE IN INCHES TOLERANCES ON FRACTION DECIMAL ±1/2" ±0.5"		<b>Wallace Cranes</b> MALVERN, PENNSYLVANIA	
CONVERTED TO CAD DRAWING	DATE	INT.	TITLE <b>TRI-ADJUSTABLE GANTRY R.D.</b>
DRAWN BY J. Fink	DATE 6-16-16	CHECKER	SCALE NTS
APPROVAL	REVISIONS	DWG C	DRAWING No. REV