



Wallace Thrifty Adjustable Gantry Cranes

Parts Location

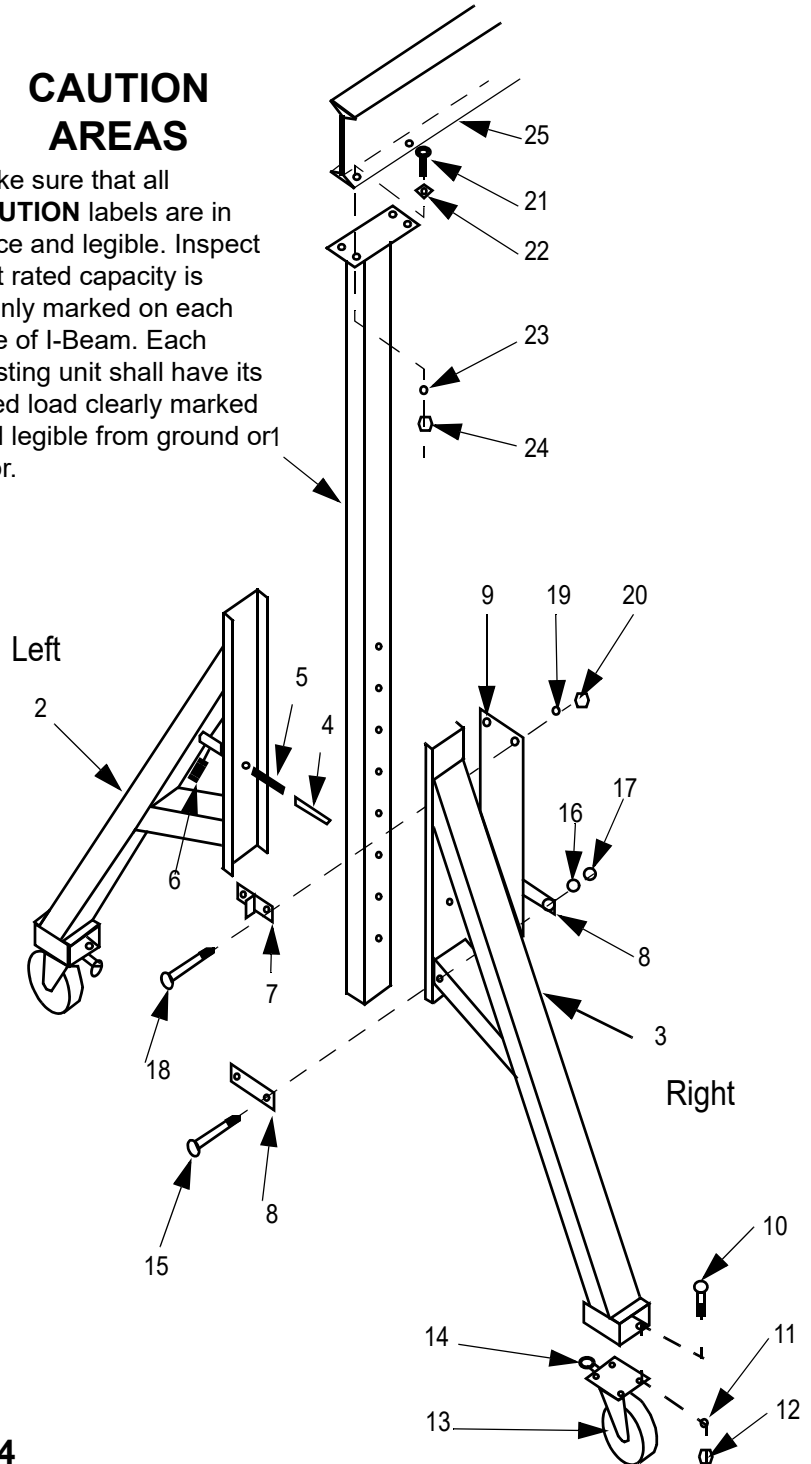
Read, Understand, and Comply with all instructions supplied with this crane. Also, pay attention to the equipment used with this crane such as hoists, trolleys, power drives (if applicable), etc. Read, Understand, and Comply with the requirements of OSHA (Occupational Safety, and Health Administration) 1910.179

Parts List

Item	Description
1	Post
2	Frame Assembly -- Left
3	Frame Assembly -- Right
4	Pin -- Height Adjustment
5	Spring -- Height Adjustment
6	Spring -- Pin
7	Upper Bolt Plate
8	Lower Bolt Plate
9	Stabilizer Plate
10	Cap Screw -- Caster
11	Lock Washer (Internal Tooth) Caster
12	Hex Nut -- Caster
13	Caster
14	Caster Swivel Lock -- (attached)
15	Cap Screw -- Lower Bolt Plate
16	Lock Washer -- Split
17	Hex Nut -- Lower Bolt Plate
18	Cap Screw -- Upper Bolt Plate
19	Lock Washer -- Split
20	Hex Nut -- Upper Bolt Plate
21	Cap Screw
22	Bevel Washer
23	Lock Washer
24	Hex Nut
25	I- Beam

CAUTION AREAS

Make sure that all **CAUTION** labels are in place and legible. Inspect that rated capacity is plainly marked on each side of I-Beam. Each hoisting unit shall have its rated load clearly marked and legible from ground or floor.



See Safe Use Instruction Form 1004

Wallace Cranes
71 N Bacton Hill Rd.
Malvern, PA 19355



www.wallacecranes.com

800-553-5348

© 2017 All rights reserved.