

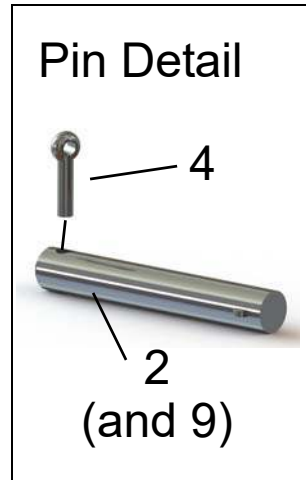
MODEL NUMBER S4T21-20SAC

| ITEM NO. | PART DESCRIPTION | PART NUMBER | QUAN. |
|----------|-------------------------------------|-------------|-------|
| 1 | MAIN LEG BRACKET | 1552-0000 | 4 |
| 2 | SUPPORT PIN 11/16 DIA. X 4 9/16 LG. | 5017-0004 | 4 |
| 3 | SPACER BAR 33 3/4 LG. | 1744-0008 | 2 |
| 4 | COTTER PIN 1/4 X 1 1/4 LG. | 60-0070 | 8 |
| 5 | NEX. NUT 3/8-24NC | 54-0100 | 4 |
| 6 | SOC. SET SCREW 3/8-24NF X 1 3/4 LG. | 63-0110 | 4 |
| 7 | SOC. SET SCREW 3/8-24NF X 1 LG. | 63-0100 | 4 |
| 8 | LEG BRACE BRACKET | 1762-0000 | 4 |
| 9 | SUPPORT PIN 11/16 DIA. X 4 1/8 LG. | 2853-0000 | 4 |
| 10 | MAIN LEG SWIVEL PIN | 1559-0000 | 4 |
| 11 | LEG BRACE SWIVEL PIN | 1563-0000 | 4 |
| 12 | HEX. HD. BOLT 3/4-10NC X 2 1/2 LG. | 51-0480 | 4 |
| 13 | TROLLEY STOP ANGLE | 5132-0000 | 4 |
| 14 | KEY RING 2 1/4 OD. | 82-0030 | 10 |
| 15 | CAUTION TAG No. 399 | 1969-RING | 12 |
| 16 | LOCK WASHER INT. TOOTH 3/4 | 58-0040 | 4 |
| 17 | HEX. NUT 3/4-10NC | 54-0040 | 4 |
| 18 | I BEAM STL. 10" X 20' LG. | 762-0200 | 1 |
| 19 | LEG BRACE ASSEMBLY | 1543-0140 | 4 |
| 20 | MAIN LEG ASSEMBLY | 1665-0141 | 4 |
| 21 | UPPER MAIN LEG | 1666-0140 | 4 |
| 22 | ROLL PIN 5/32 X 3/4 LG. | 61-0300 | 4 |
| 23 | LOAD PIN | 3016-0000 | 4 |
| 24 | EXTENSION SPRING | 1017-0000 | 8 |
| 25 | LOWER MAIN LEG | 1662-0140 | 4 |
| 26 | CASTER FRAME ASSEMBLY | 699-0020 | 2 |
| 27 | LOWER MAIN LEG PIN ASSEMBLY | 1999-0000 | 4 |
| 28 | HEX. HD. BOLT 1/2-13NC X 5 1/2 LG. | 51-0470 | 4 |
| 29 | SAFETY CABLE ASS'Y 155" LG. | 1967-0030 | 2 |
| 30 | OUTER CASTER FRAME TUBE | 700-0020 | 2 |
| 31 | CASTER FRAME ADJUSTMENT PIN | 1392-0000 | 2 |
| 32 | INNER CASTER FRAME TUBE | 701-0020 | 2 |
| 33 | CASTER CASTING FOR INNER TUBE | 2630-0000 | 2 |
| 34 | CASTER CASTING FOR OUTER TUBE | 2629-0000 | 2 |
| 35 | LOCK WASHER INT. TOOTH 1/2 | 58-0020 | 4 |
| 36 | HEX. NUT 1/2-13NC | 54-0050 | 4 |
| 37 | HEX. HD. BOLT 1/2-13NC X 1 1/2 LG. | 51-0290 | 16 |
| 38 | LOCK WASHER INT. TOOTH 1/2 | 58-0020 | 16 |
| 39 | HEX. NUT 1/2-13NC | 54-0050 | 16 |
| 40 | CASTER WHEEL 8" DIA. | 47-81NB | 4 |
| 41 | SAFETY STOP ASSEMBLY | 3112-0001 | 4 |



Wallace Cranes Parts Location

Round Tube Tri-Adjustable

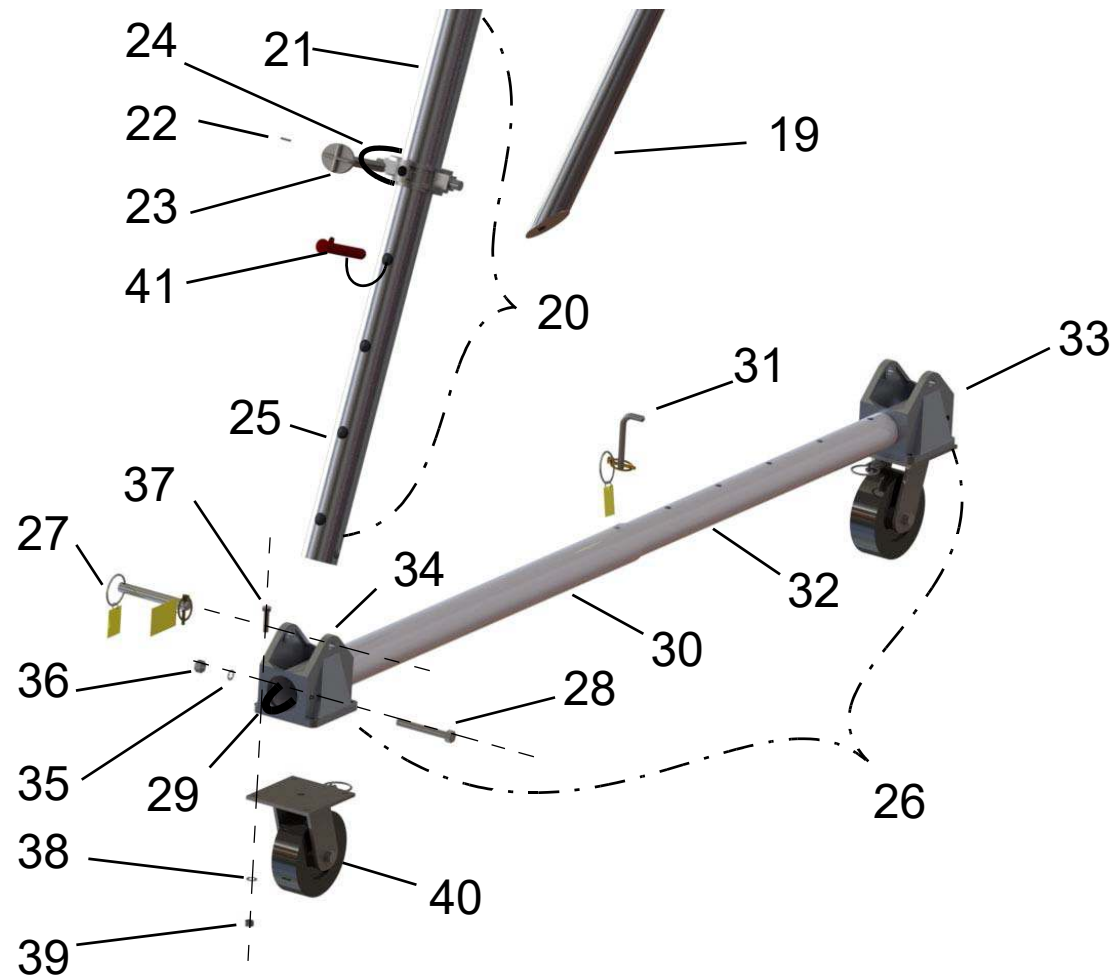


I-Beam
Assembly
Parts Location

Wallace Cranes
71 N Bacton Hill Rd.
Malvern, PA 19355



www.wallacecranes.com
800-553-5438
©2017 All rights reserved



Caster Frame
Assembly
Parts Location

Wallace Cranes
71 N Bacton Hill Rd.
Malvern, PA 19355



www.wallacecranes.com
800-553-5438
©2017 All rights reserved