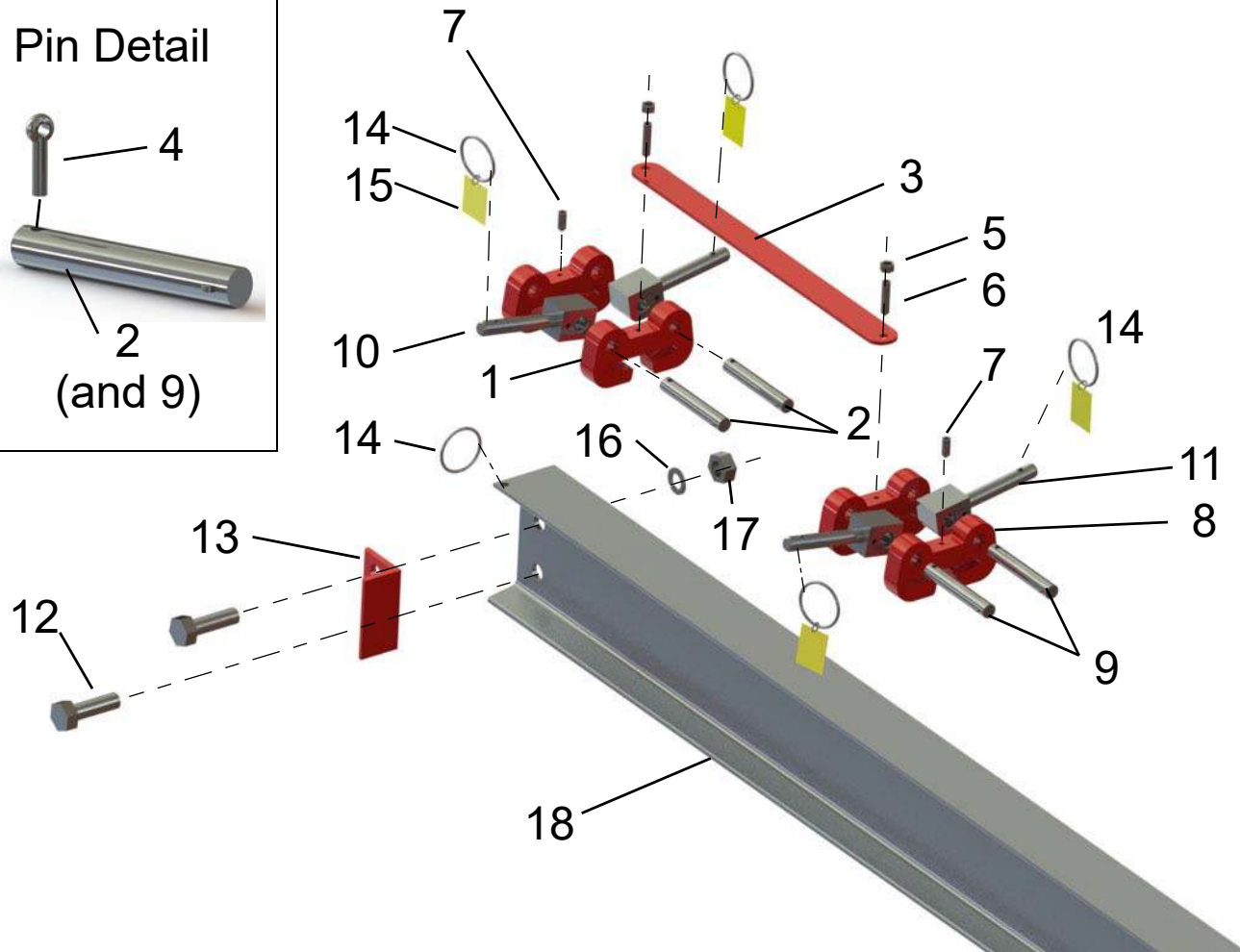
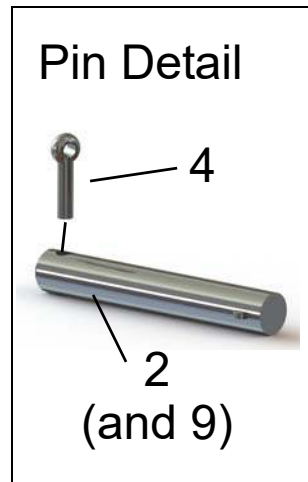


		MODEL NUMBER	S2T18-20SAC		
ITEM NO.	PART DESCRIPTION	PART NUMBER	QUAN.		
1	MAIN LEG BRACKET	1553-0000	4		
2	SUPPORT PIN 11/16 DIA. X 4 9/16 LG.	5017-0004	4		
3	SPACER BAR 32 1/2 LG.	1744-0007	2		
4	COTTER PIN 1/4 X 1 1/4 LG.	60-0070	8		
5	NEX. NUT 3/8-24NC	54-0100	4		
6	SOC. SET SCREW 3/8-24NF X 1 3/4 LG.	63-0110	4		
7	SOC. SET SCREW 3/8-24NF X 1 LG.	63-0100	4		
8	LEG BRACE BRACKET	1761-0000	4		
9	SUPPORT PIN 11/16 DIA. X 4 1/8 LG.	2853-0000	4		
10	MAIN LEG SWIVEL PIN	1559-0000	4		
11	LEG BRACE SWIVEL PIN	1563-0000	4		
12	HEX. HD. BOLT 3/4-10NC X 2 1/2 LG.	51-0480	4		
13	TROLLEY STOP ANGLE	3464-0000	4		
14	KEY RING 2 1/4 OD.	82-0030	10		
15	CAUTION TAG No. 399	1969-RING	12		
16	LOCK WASHER INT. TOOTH 3/4	58-0040	4		
17	HEX. NUT 3/4-10NC	54-0040	4		
18	I BEAM STL. 8" X 20' LG.	761-0200	1		
19	LEG BRACE ASSEMBLY	1543-0120	4		
20	MAIN LEG ASSEMBLY	1665-0121	4		
21	UPPER MAIN LEG	1666-0120	4		
22	ROLL PIN 5/32 X 3/4 LG.	61-0300	4		
23	LOAD PIN	3016-0000	4		
24	EXTENSION SPRING	1017-0000	8		
25	LOWER MAIN LEG	1672-0120	4		
26	CASTER FRAME ASSEMBLY	699-0020	2		
27	LOWER MAIN LEG PIN ASSEMBLY	1999-0000	4		
28	HEX. HD. BOLT 1/2-13NC X 5 1/2 LG.	51-0470	4		
29	SAFETY CABLE ASS'Y 155" LG.	1967-0030	2		
30	OUTER CASTER FRAME TUBE	700-0020	2		
31	CASTER FRAME ADJUSTMENT PIN	1392-0000	2		
32	INNER CASTER FRAME TUBE	701-0020	2		
33	CASTER CASTING FOR INNER TUBE	2630-0000	2		
34	CASTER CASTING FOR OUTER TUBE	2629-0000	2		
35	LOCK WASHER INT. TOOTH 1/2	58-0020	4		
36	HEX. NUT 1/2-13NC	54-0050	4		
37	HEX. HD. BOLT 1/2-13NC X 1-1/2" LG.	51-0290	16		
38	LOCK WASHER INT. TOOTH 1/2	58-0020	16		
39	HEX. NUT 1/2-13NC	54-0050	16		
40	CASTER WHEEL 8" DIA.	47-81NB	4		
41	SAFETY STOP ASSEMBLY	3112-0001	4		



Wallace Cranes Parts Location

Round Tube Tri-Adjustable

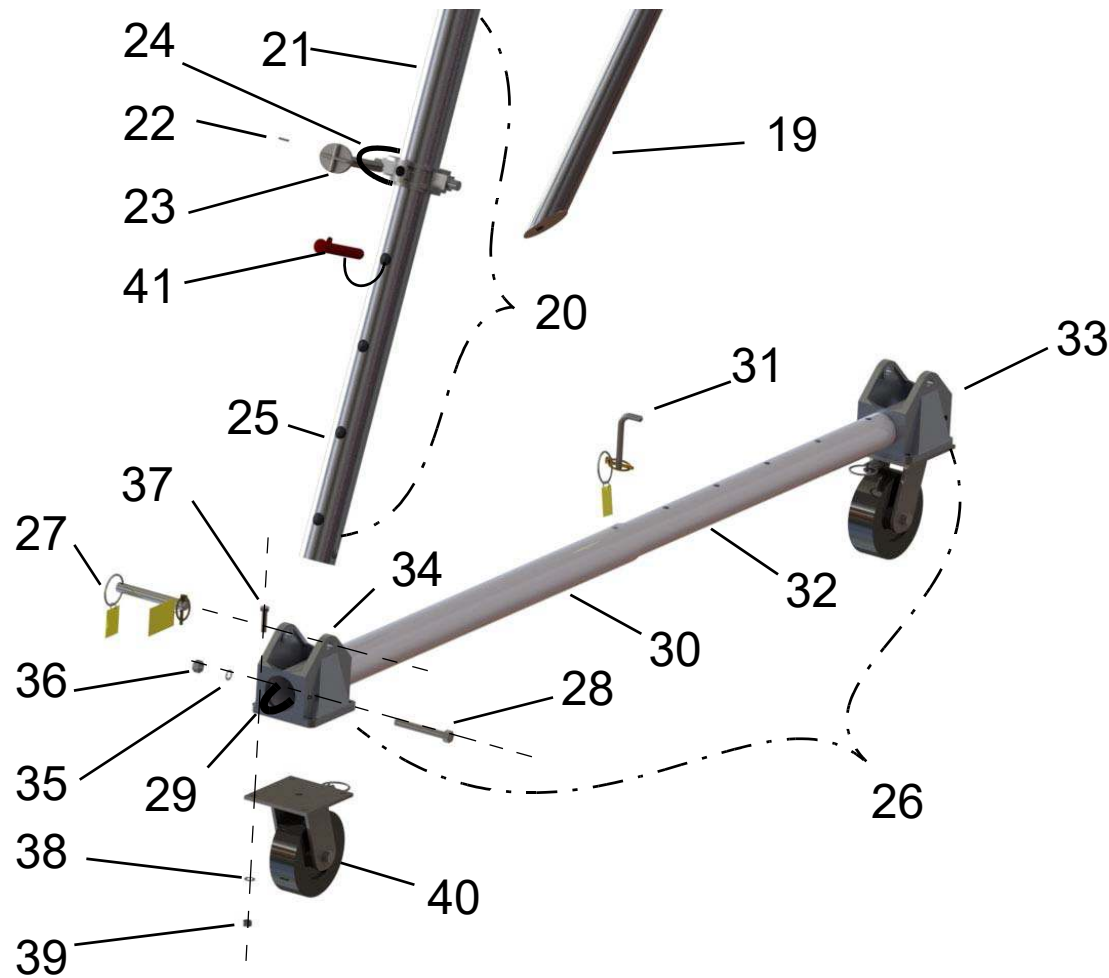


I-Beam
Assembly
Parts Location

Wallace Cranes
71 N Bacton Hill Rd.
Malvern, PA 19355



www.wallacecranes.com
800-553-5438
©2017 All rights reserved



Caster Frame
Assembly
Parts Location

Wallace Cranes
71 N Bacton Hill Rd.
Malvern, PA 19355



www.wallacecranes.com
800-553-5438
©2017 All rights reserved