

---

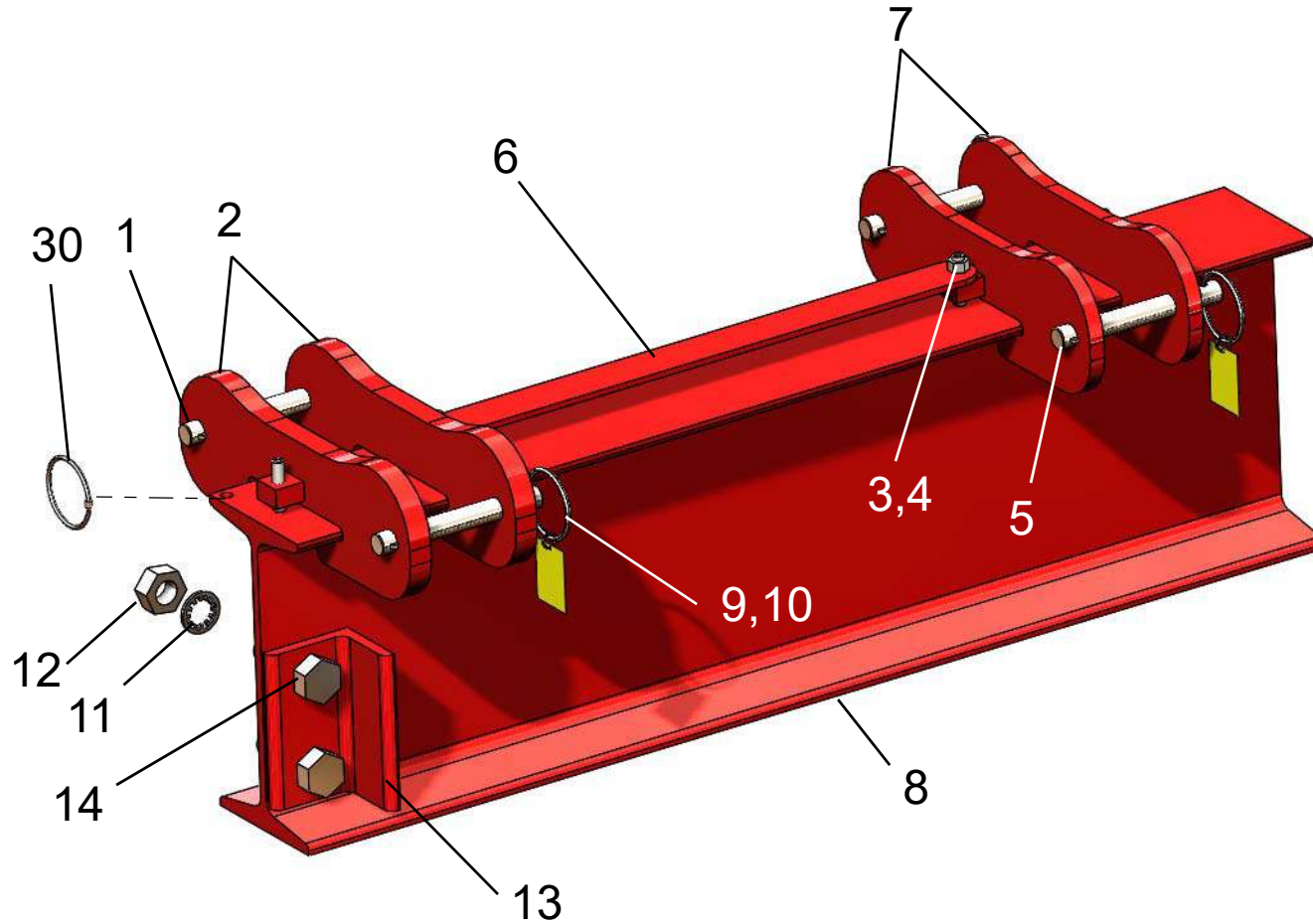
MODEL NUMBER FHS1016-M35AC

| ITEM NO. | PART DESCRIPTION                       | PART NUMBER | QUAN. |
|----------|----------------------------------------|-------------|-------|
| 1        | PIN - SUPPORT 1 DIA. X 5 3/4 LG.       | 5018-0002   | 4     |
| 2        | BRACKET - MAIN LEG                     | 6018-1      | 4     |
| 3        | HEX. NUT 3/8-24NF                      | 54-0100     | 8     |
| 4        | SOC. SET SCREW 3/8-24NF X 1 3/4 LG.    | 63-0110     | 8     |
| 5        | PIN - SUPPORT 11/16 DIA. X 5 11/16 LG. | 5017-0006   | 4     |
| 6        | SPACER BAR 24 1/2" LG.                 | 3604-0004   | 2     |
| 7        | BRACKET - BRACE LEG                    | 6018-2      | 4     |
| 8        | I-BEAM STL 18" X 35' LG. REINF.        | 1681-1535   | 1     |
| 9        | KEY RING 2 1/4 DIA.                    | 82-0030     | 18    |
| 10       | CAUTION TAG No. 399                    | 1969-RING   | 16    |
| 11       | LOCK WASHER INT. TOOTH 3/4             | 58-0040     | 4     |
| 12       | HEX. NUT 3/4-10NC                      | 54-0040     | 4     |
| 13       | TROLLEY STOP ANGLE                     | 5131-0000   | 4     |
| 14       | HEX. HD. BOLT 3/4-10NC X 2 1/2 LG.     | 51-0480     | 4     |
| 15       | BRACE LEG                              | 3625-0150   | 4     |
| 16       | MAIN LEG                               | 3629-0150   | 4     |
| 17       | PIN - SUPPORT 11/16 DIA. X 4 9/16 LG.  | 5017-0004   | 4     |
| 20       | HEX. HD. BOLT 1/2-13NC X 4 LG.         | 51-0460     | 4     |
| 21       | LOCK WASHER INT. TOOTH 1/2             | 58-0020     | 4     |
| 22       | HEX. NUT 1/2-13NC                      | 54-0050     | 4     |
| 23       | PIN - LOWER LEG 3/4 DIA. X 5 1/8 LG.   | 5023-0000   | 4     |
| 24       | CASTER PLATE                           | 5030-0000   | 4     |
| 25       | HEX. HD. BOLT 1/2-13NC X 1 3/4 LG.     | 51-0300     | 32    |
| 26       | LOCK WASHER INT. TOOTH 1/2             | 58-0020     | 32    |
| 27       | HEX. NUT 1/2-13NC                      | 54-0050     | 32    |
| 28       | CASTER WHEEL 8" DIA.                   | 47-81NB     | 8     |
| 29       | CASTER FRAME TUBE                      | 3628-0150   | 2     |
| 30       | COTTER PIN 1/4 X 2 LG.                 | 60-0040     | 4     |



# Wallace Cranes Parts Location

Hippolift 5 Ton

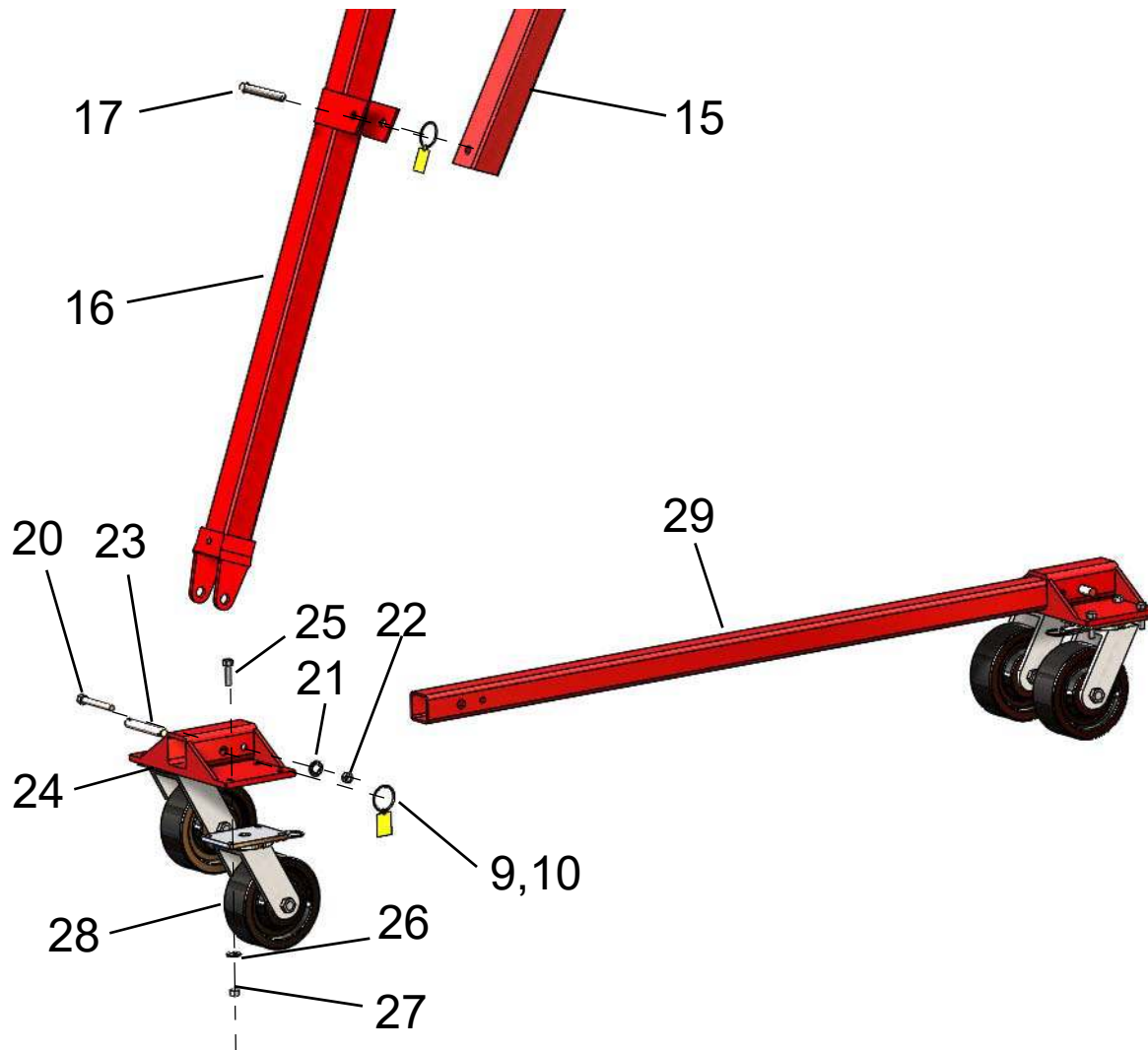


I-Beam  
Assembly  
Parts Location

Wallace Cranes  
71 N Bacton Hill Rd.  
Malvern, PA 19355



[www.wallacecranes.com](http://www.wallacecranes.com)  
800-553-5438  
©2017 All rights reserved



Caster Frame  
Assembly  
Parts Location

Wallace Cranes  
71 N Bacton Hill Rd.  
Malvern, PA 19355



www.wallacecranes.com  
800-553-5438  
©2017 All rights reserved